



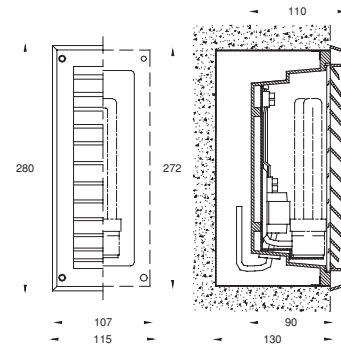
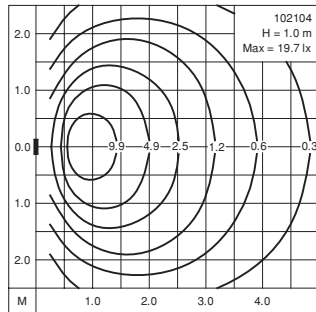
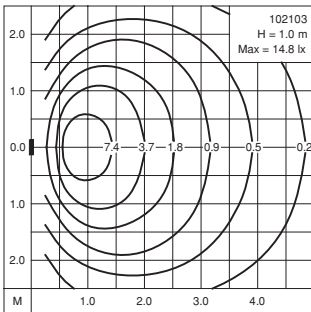
## Wall recessed luminaires

**IP 65** Dusttight and Jetproof conforming to DIN, VDE, IEC.  
**Class I.**

This durable wall recessed unit with fully concealed light source features use of energy efficient lamps for functional direct illumination.

It provides maximum flexibility in designing lighting system which add beauty and security to residential, commercial or public projects where obtrusive lighting and environmental controls are concerned.

- Dusttight and Jetproof
  - Corrosion resistant die cast aluminium body and faceplate
  - UV stabilized and vandal resistant polycarbonate diffuser or safety glass lens on request
  - Stainless steel screws
  - Silicone rubber gasket
  - Integral control gear
  - Open with tools only
  - M 20x1.5 cable entries diameter 7.5 - 13.5 mm.
  - Ultraviolet stabilized polyester powder coat finish in Black RAL 9005
  - Other colours available upon consultation
- Galvanized steel sheet or aluminium sheet blockout request



			Lumen
<b>102101</b>	Incandescent	E14 : 40W	400
<b>102102</b>	Compact fluorescent	G23 : 5/7/9W	250/400/600
<b>102103</b>	Compact fluorescent	G24d-1 : 10/13W	600/900
<b>102104</b>	Compact fluorescent	G24d-2 : 18W	1200
<b>102105</b>	Compact fluorescent	G24d-3 : 26W	1800