



## Rocket Light

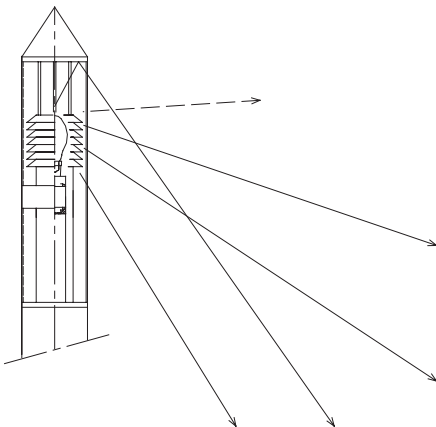
**IP 55** Dustproof and Jetproof conforming to DIN, VDE, IEC.

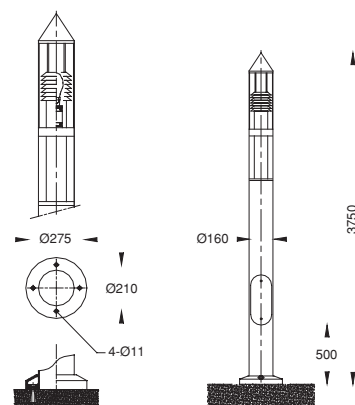
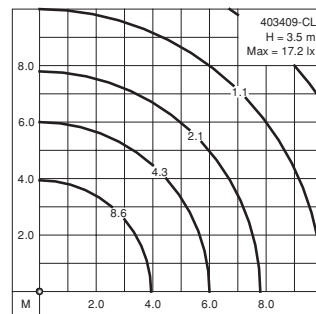
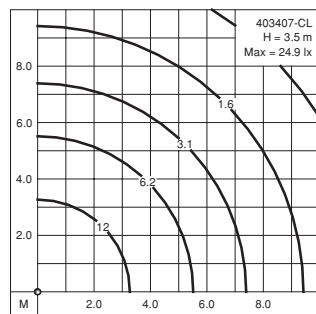
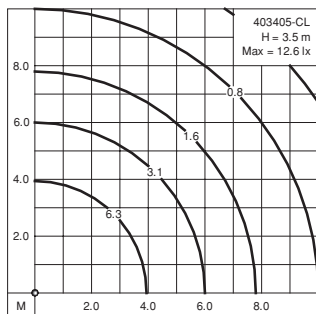
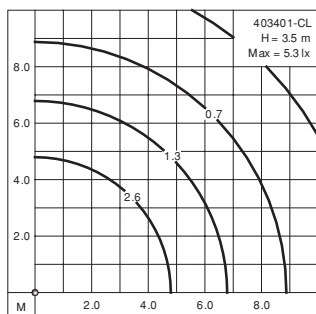
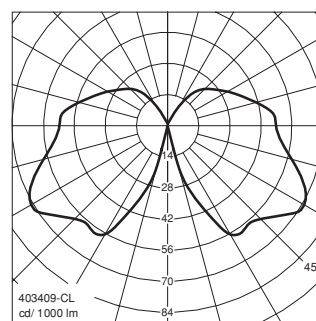
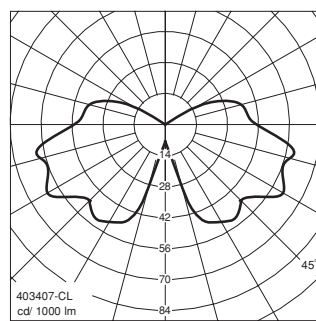
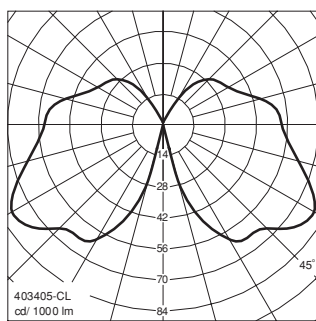
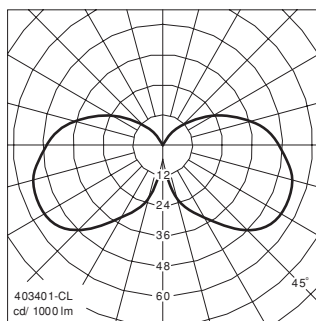
**Class I.**

These architectural luminaires with rotationally symmetrical light distribution providing a pleasant glarefree lighting suitable for private and public areas, hotel, condominium, shopping arcades, parks, gardens and pedestrian precincts.

- Vandal resistant
- Corrosion resistant die cast aluminium alloy
- Stainless steel screws
- Ultraviolet stabilized polycarbonate diffuser in white opal or clear with anodized high purity aluminium reflector
- Weatherproof and durable silicone rubber gasket
- Integral control gear
- Heavy wall thick in single aluminium extruded pole with service door, fuse and cable connecting box
- For **clear** polycarbonate diffuser with louvre reflector, please add “-CL” after the six digits
- For **white opal** polycarbonate diffuser, please add “-WO” after the six digits

**Colour** : Ultraviolet stabilized polyester powder coat finish in Black RAL 9005. Other colours are available upon consultation.





			Lumen
<b>403401</b>	Compact fluorescent	2G11 : 36W	2900
<b>403402</b>	Compact fluorescent	2G11 : 40W	3500
<b>403403</b>	Compact fluorescent	2G11 : 55W	4800
<b>403404</b>	Mercury vapour	E27 : 50W	1800
<b>403405</b>	Mercury vapour	E27 : 80W	3800
<b>403406</b>	Metal halide	E27 : 50W	2900
<b>403407</b>	Metal halide	E27 : 70W	4900
<b>403408</b>	High pressure sodium	E27 : 50W	3500
<b>403409</b>	High pressure sodium	E27 : 70W	5600