



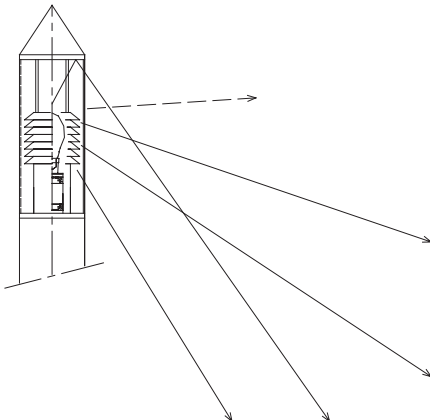
Rocket Light

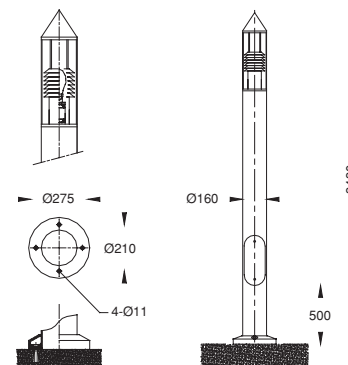
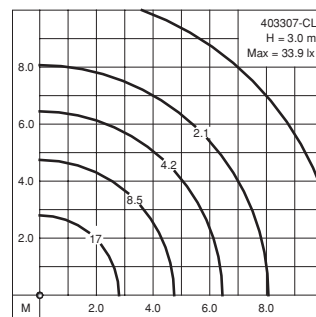
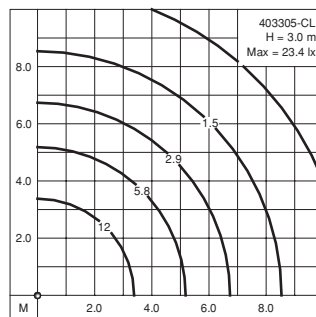
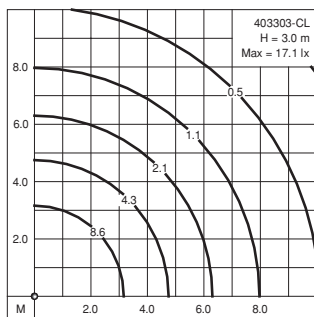
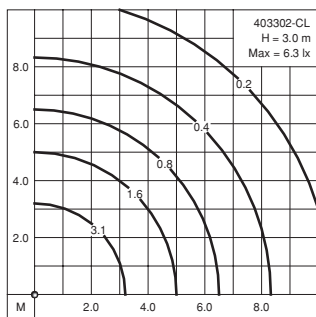
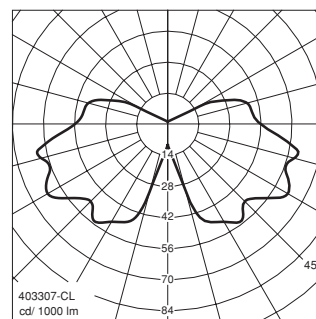
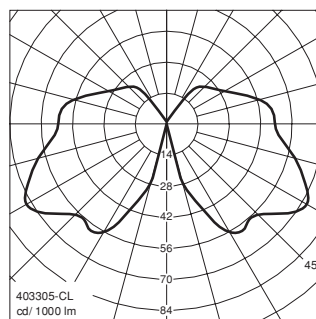
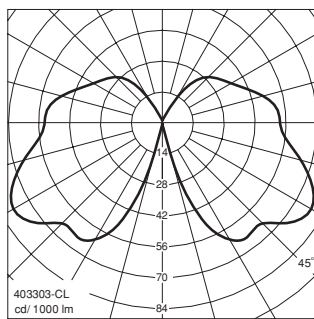
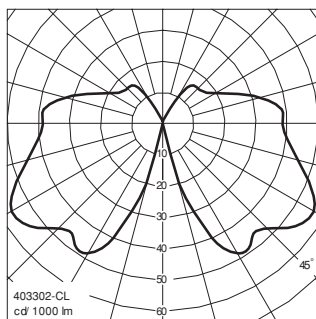
IP 55 Dustproof and Jetproof conforming to DIN, VDE, IEC.
Class I.

These architectural luminaires with rotationally symmetrical light distribution providing a pleasant glarefree lighting suitable for private and public areas, hotel, condominium, shopping arcades, parks, gardens and pedestrian precincts.

- Vandal resistant
- Corrosion resistant die cast aluminium alloy
- Stainless steel screws
- Ultraviolet stabilized polycarbonate diffuser in white opal or clear with anodized high purity aluminium reflector
- Weatherproof and durable silicone rubber gasket
- Integral control gear
- Heavy wall thick in single aluminium extruded pole with service door, fuse and cable connecting box
- For **clear** polycarbonate diffuser with louvre reflector, please add “-CL” after the six digits
- For **white opal** polycarbonate diffuser, please add “-WO” after the six digits

Colour : Ultraviolet stabilized polyester powder coat finish in Black RAL 9005. Other colours are available upon consultation.





			Lumen
403301	Compact fluorescent	G24d-3 : 26W	1800
403302	Mercury vapour	E27 : 50W	1800
403303	Mercury vapour	E27 : 80W	3800
403304	Metal halide	E27 : 50W	2900
403305	Metal halide	E27 : 70W	4900
403306	High pressure sodium	E27 : 50W	3500
403307	High pressure sodium	E27 : 70W	5600