



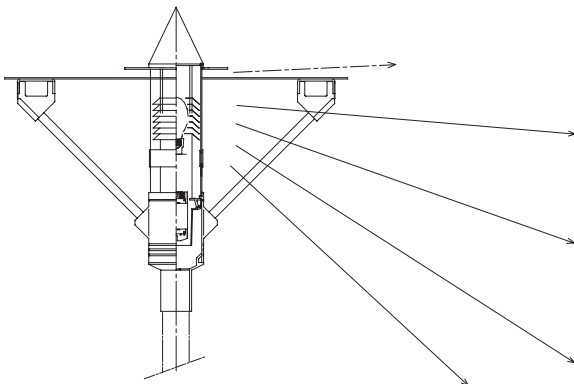
## Pole Top Luminaires

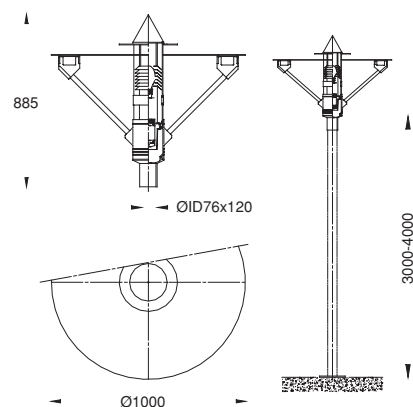
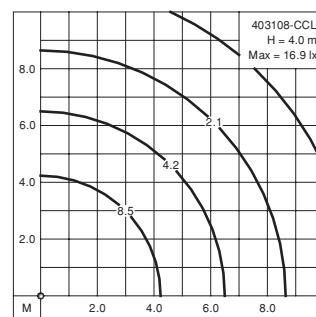
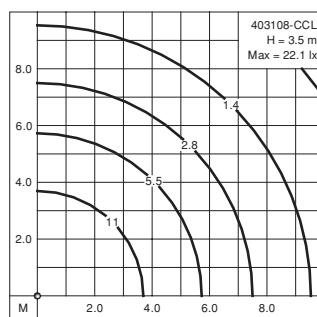
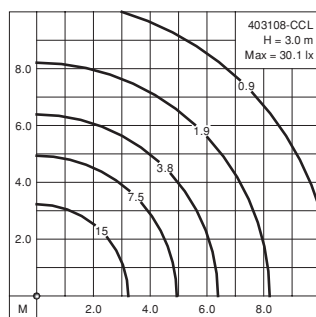
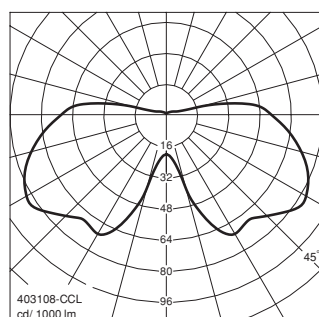
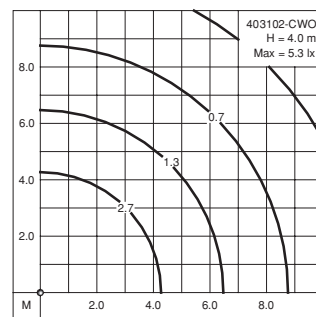
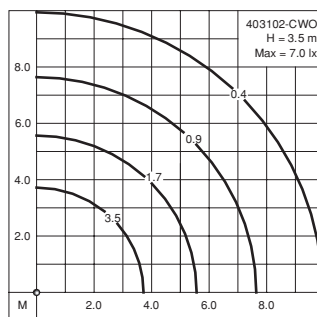
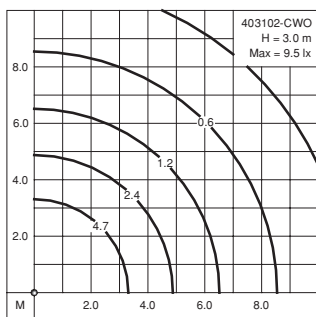
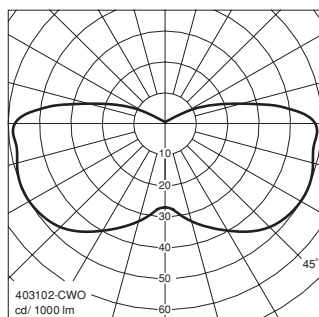
**IP 55** Dustproof and Jetproof conforming to DIN, VDE, IEC.  
**Class I.**

These architectural luminaires with rotationally symmetrical light distribution and additional upper light access output are designed for providing a pleasant glarefree lighting suitable for private and public areas, hotels, parks, gardens and pedestrian precincts.

- Vandal resistant
- Corrosion resistant die cast aluminium alloy
- Stainless steel screws
- Ultraviolet stabilized polycarbonate diffuser in white opal or clear with anodized high purity aluminium reflector
- Weatherproof and durable silicone rubber gasket
- Integral control gear
- Heavy wall thick in single aluminium extruded pole with service door, fuse and cable connecting box
- For die cast aluminium **cone** top cover and **clear** polycarbonate diffuser, please add "-CCL" after the six digits
- For die cast aluminium **cone** top cover and **white opal** polycarbonate diffuser, please add "-CWO" after the six digits
- For die cast aluminium **bevelled** top cover and **clear** polycarbonate diffuser, please add "-BCL" after the six digits
- For die cast aluminium **bevelled** top cover and **white opal** polycarbonate diffuser, please add "-BWO" after the six digits

**Colour** : Ultraviolet stabilized polyester powder coat finish in Black RAL 9005. Other colours are available upon consultation.





			Lumen
<b>403101</b>	Compact fluorescent	2G11 : 24W	1800
<b>403102</b>	Compact fluorescent	2G11 : 36W	2900
<b>403103</b>	Mercury vapour	E27 : 50W	1800
<b>403104</b>	Mercury vapour	E27 : 80W	3800
<b>403105</b>	Metal halide	E27 : 50W	2900
<b>403106</b>	Metal halide	E27 : 70W	4900
<b>403107</b>	High pressure sodium	E27 : 50W	3500
<b>403108</b>	High pressure sodium	E27 : 70W	5600