



Pole Top Luminaires

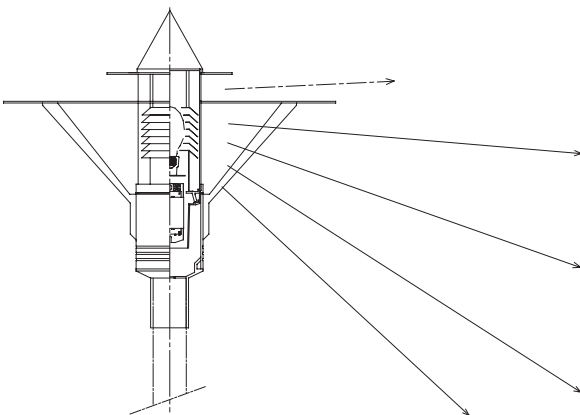
IP 55 Dustproof and Jetproof conforming to DIN, VDE, IEC.
Class I.

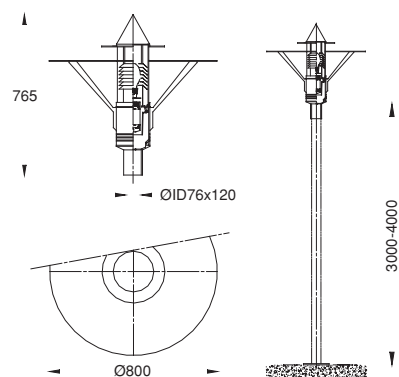
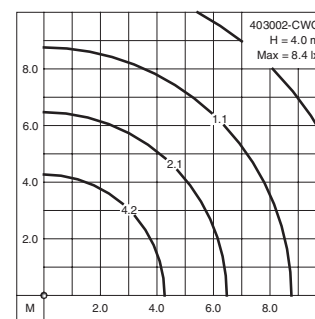
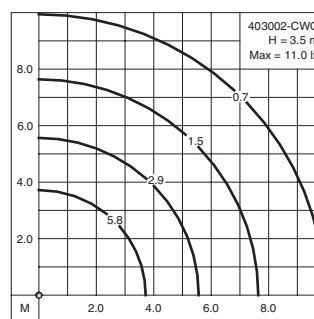
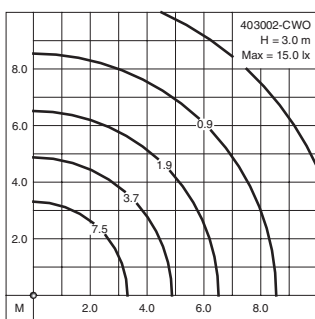
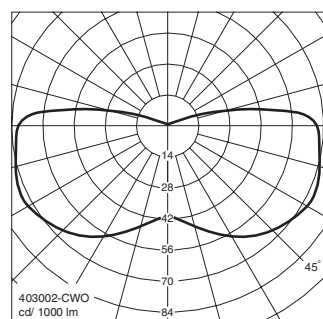
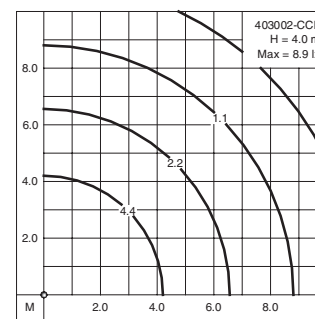
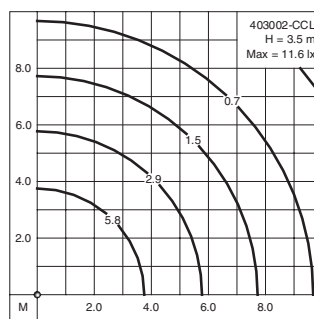
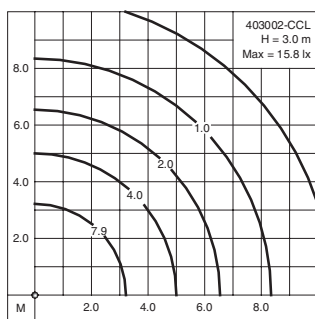
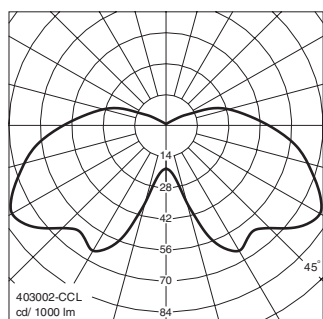
These luminaires with rotationally symmetrical light distribution and additional upper light access output are designed for pole heights of 3000-4000 mm providing a pleasant glarefree lighting suitable for private and public areas, hotels, parks, gardens and pedestrian precincts.

- Vandal resistant
- Corrosion resistant die cast aluminium alloy
- Stainless steel screws
- Ultraviolet stabilized polycarbonate diffuser in white opal or clear with anodized high purity aluminium reflector
- Weatherproof and durable silicone rubber gasket
- Integral control gear

- For die cast aluminium **c**one top cover and **c**lear polycarbonate diffuser, please add "-CCL" after the six digits
- For die cast aluminium **c**one top cover and **w**hite **o**pal polycarbonate diffuser, please add "-CWO" after the six digits
- For die cast aluminium **b**evelled top cover and **c**lear polycarbonate diffuser, please add "-BCL" after the six digits
- For die cast aluminium **b**evelled top cover and **w**hite **o**pal polycarbonate diffuser, please add "-BWO" after the six digits

Colour : Ultraviolet stabilized polyester powder coat finish in Black RAL 9005. Other colours are available upon consultation.





			Lumen
403001	Compact fluorescent	GX24q-3 : 32W	2400
403002	Compact fluorescent	GX24q-4 : 42W	3200
403003	Mercury vapour	E27 : 50W	1800
403004	Mercury vapour	E27 : 80W	3800
403005	Metal halide	E27 : 50W	2900
403006	Metal halide	E27 : 70W	4900
403007	High pressure sodium	E27 : 50W	3500
403008	High pressure sodium	E27 : 70W	5600