



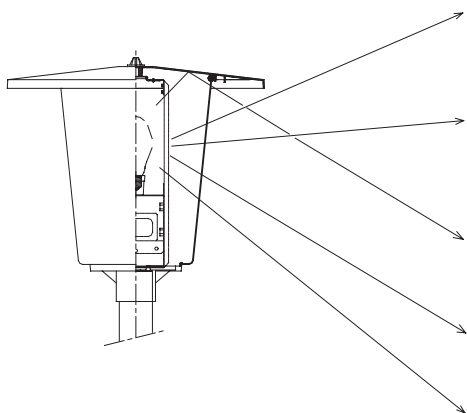
## Pole Top Luminaires

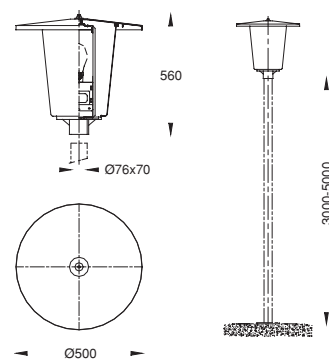
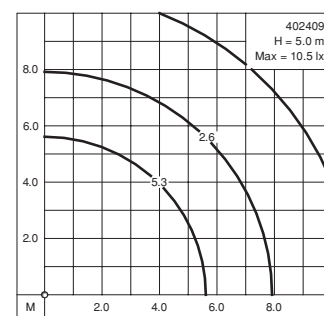
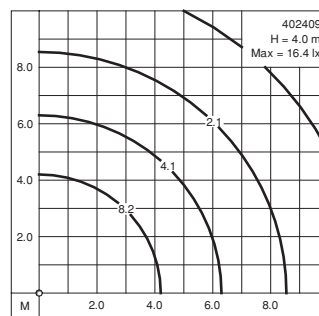
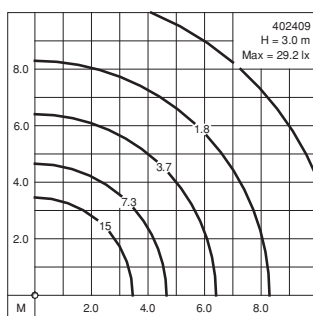
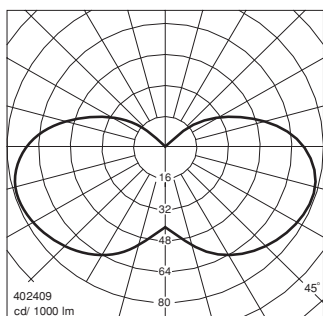
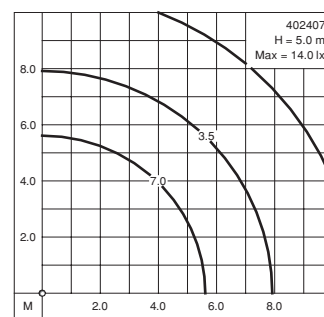
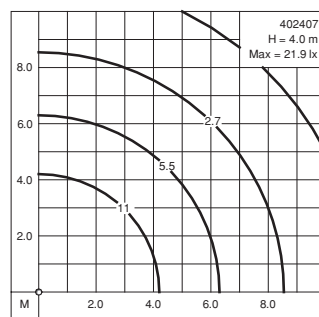
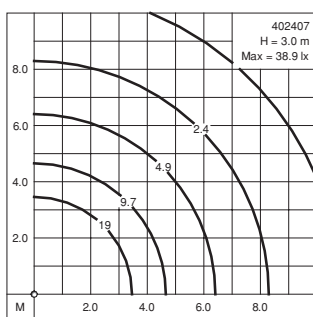
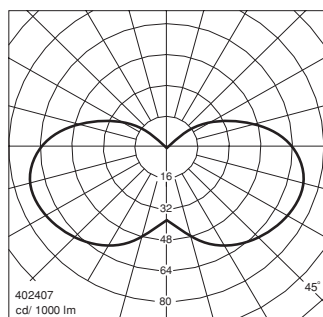
**IP 44** conforming to DIN, VDE, IEC.  
**Class I.**

These luminaires with conical symmetrical light distribution providing a wide spread light output suitable for pole heights of 3000-5000 mm for lighting private and public areas, hotels, parks, gardens, pedestrian precincts, urban streets and driveways.

- Vandal resistant
- Corrosion resistant die cast aluminium alloy
- Stainless steel screws
- Ultraviolet stabilized white opal polyethylene diffuser
- Weatherproof and durable silicone rubber gasket
- Integral control gear

**Colour** : Ultraviolet stabilized polyester powder coat finish in Black RAL 9005. Other colours are available upon consultation.





			Lumen
402401	Compact fluorescent	G24d-3 : 26W	1800
402402	Mercury vapour	E27 : 50W	1800
402403	Mercury vapour	E27 : 80W	3800
402404	Mercury vapour	E27 : 125W	6300
402405	Metal halide	E27 : 50W	2900
402406	Metal halide	E27 : 70W	4900
402407	Metal halide	E27 : 100W	8000
402408	High pressure sodium	E27 : 50W	3500
402409	High pressure sodium	E27 : 70W	5600
402410	High pressure sodium	E40 : 100W	9500
402411	High pressure sodium	E40 : 150W	14000