



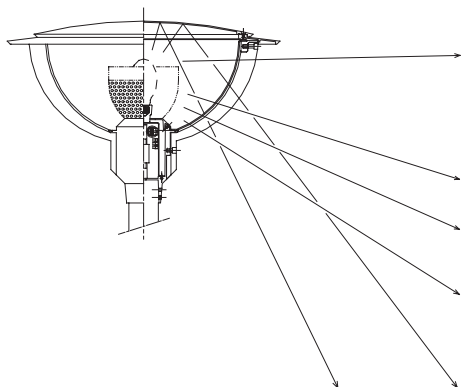
## Pole Top Luminaires

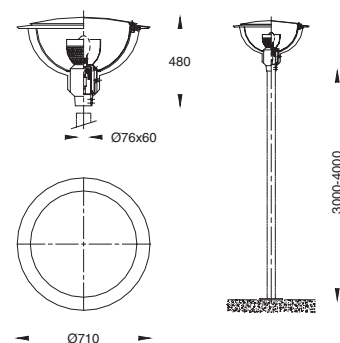
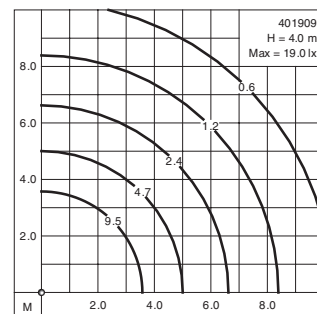
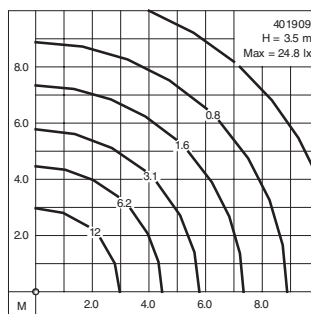
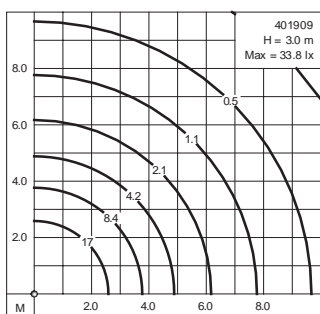
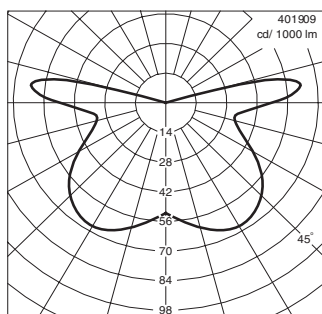
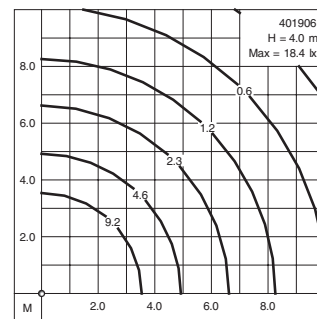
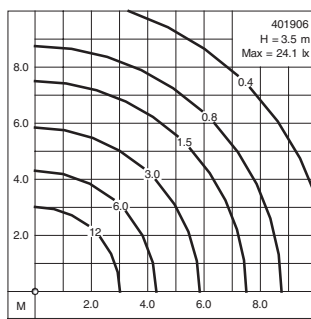
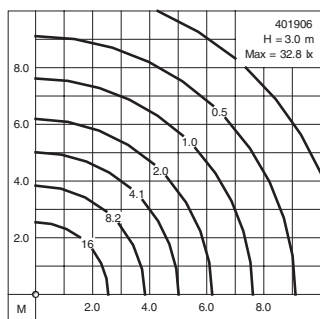
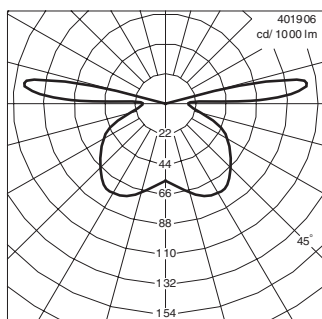
**IP 55** Dustproof and Jetproof conforming to DIN, VDE, IEC.  
**Class I.**

These luminaires with rotationally symmetrical light distribution are designed for pole heights of 3000-4000 mm providing a pleasant glarefree lighting suitable for private and public areas, hotels, parks, gardens and pedestrian precincts.

- Corrosion resistant die cast aluminium alloy
- Stainless steel screws
- Ultraviolet stabilized polycarbonate diffuser in clear with anti-glare bowl louver
- Weatherproof and durable silicone rubber gasket
- Integral control gear

**Colour** : Ultraviolet stabilized polyester powder coat finish in Black RAL 9005. Other colours are available upon consultation.





			Lumen
<b>401901</b>	Compact fluorescent	G24d-3 : 26W	1800
<b>401902</b>	Mercury vapour	E27 : 50W	1800
<b>401903</b>	Mercury vapour	E27 : 80W	3800
<b>401904</b>	Mercury vapour	E27 : 125W	6300
<b>401905</b>	Metal halide	E27 : 50W	2900
<b>401906</b>	Metal halide	E27 : 70W	4900
<b>401907</b>	Metal halide	E27 : 100W	8000
<b>401908</b>	High pressure sodium	E27 : 50W	3500
<b>401909</b>	High pressure sodium	E27 : 70W	5600