



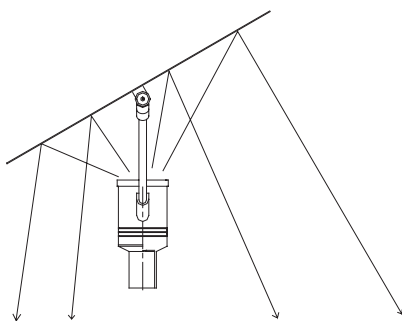
Pole Top Luminaires

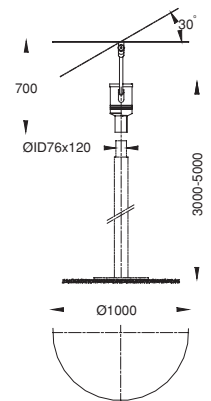
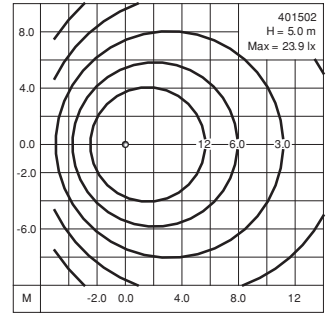
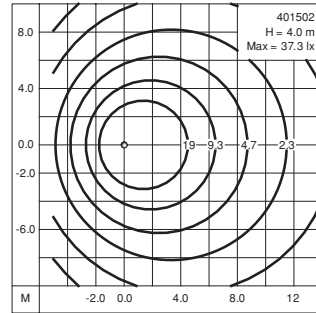
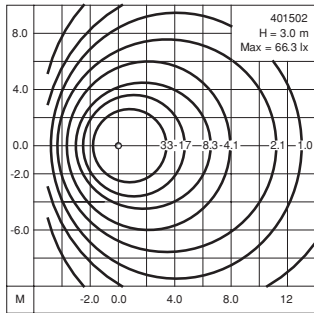
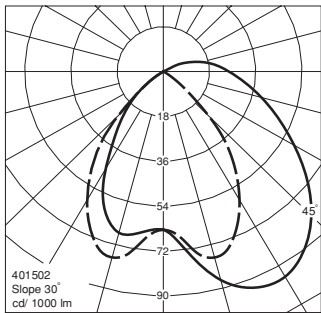
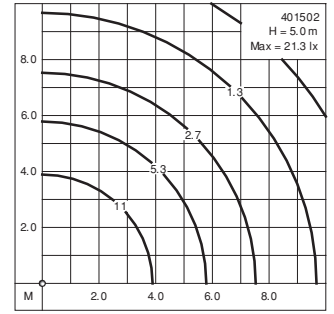
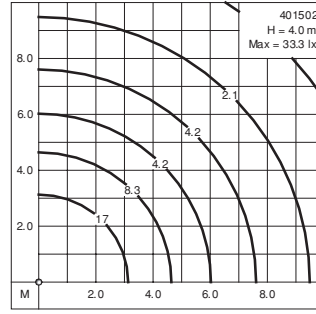
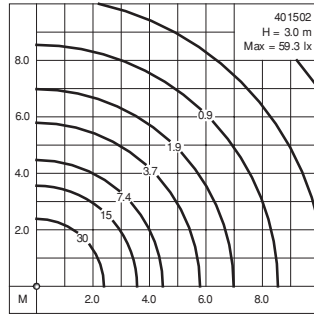
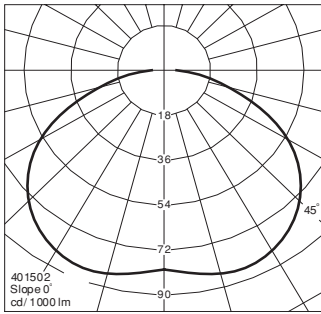
IP 65 Dusttight and Jetproof conforming to DIN, VDE, IEC.
Class I.

These luminaires are available in two designs providing indirect lighting of rotationally symmetrical distribution where the top reflector is horizontally positioned and of asymmetrical distribution where the top reflector is swivelly positioned at an degree of 0°-30°. The light distribution is directed by the top reflector producing a pleasant soft, glarefree and uniform light distribution. These luminaires are designed to suit a pole heights of 3000-5000 mm.

- Corrosion resistant aluminium alloy
- Stainless steel screws
- Tempered safety glass lens
- High purity anodized aluminium reflector
- Weatherproof and durable silicone rubber gasket
- Integral control gear
- Aluminium extruded pole

Colour : Ultraviolet stabilized polyester powder coat finish in Black RAL 9005. Other colours are available upon consultation.





			Lumen
401501	Metal halide	G12 : 35W	3300
401502	Metal halide	G12 : 70W	6600
401503	Metal halide	G12 : 150W	14000