



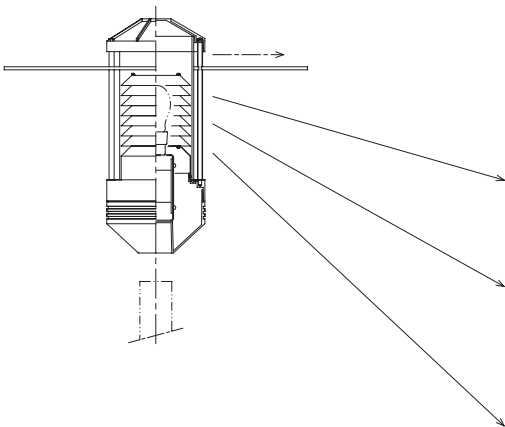
Pole Top Luminaires

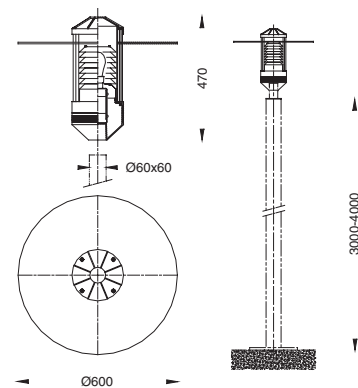
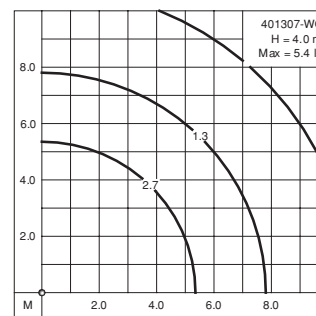
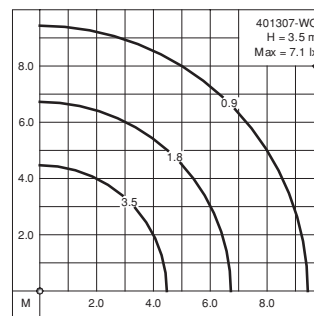
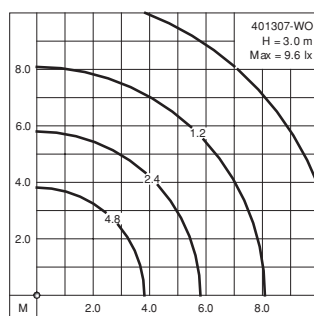
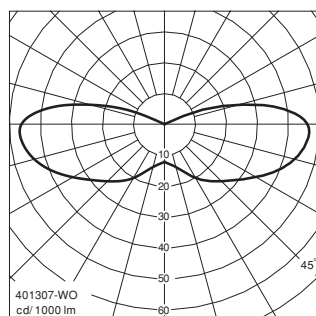
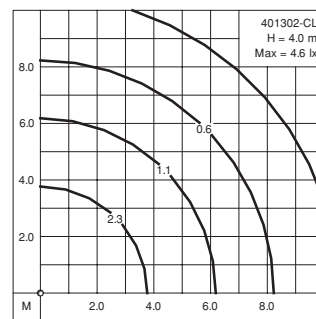
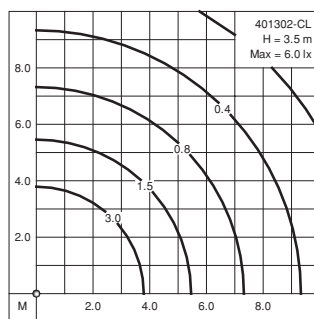
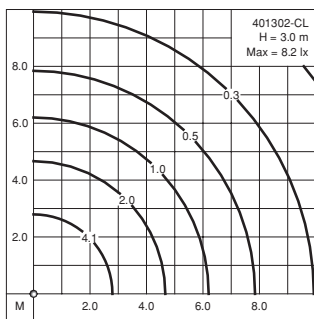
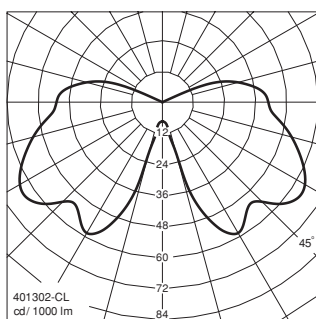
IP 55 Dustproof and Jetproof conforming to DIN, VDE, IEC.
Class I.

These luminaires with rotationally symmetrical light distribution and additional upper light access output are designed for pole heights of 3000-4000 mm. providing a pleasant glarefree lighting suitable for private and public areas, hotel, parks, gardens and pedestrian precincts.

- Vandal resistant
- Corrosion resistant die cast aluminium alloy
- Stainless steel screws
- Ultraviolet stabilized polycarbonate diffuser in white opal or clear with anodized high purity aluminium reflector
- Weatherproof and durable silicone rubber gasket
- Integral control gear
- For **clear** polycarbonate diffuser, please add “-CL” after the six digits
- For **white opal** polycarbonate diffuser, please add “-WO” after the six digits

Colour : Ultraviolet stabilized polyester powder coat finish in Black RAL 9005. Other colours are available upon consultation.





			Lumen
401301	Compact fluorescent	G24d-3 : 26W	1800
401302	Mercury vapour	E27 : 50W	1800
401303	Mercury vapour	E27 : 80W	3800
401304	Metal halide	E27 : 50W	2900
401305	Metal halide	E27 : 70W	4900
401306	High pressure sodium	E27 : 50W	3500
401307	High pressure sodium	E27 : 70W	5600