

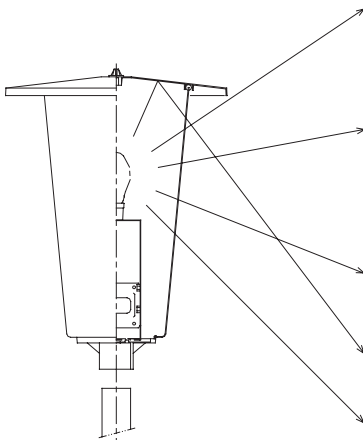
## Pole Top Luminaires

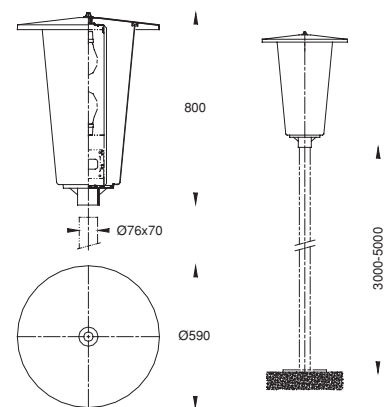
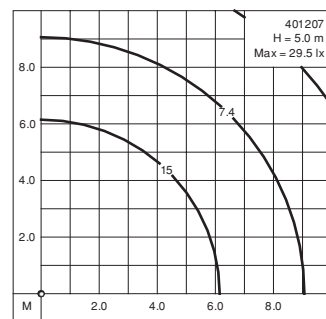
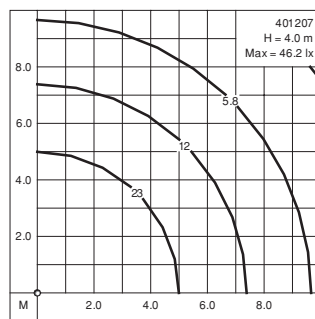
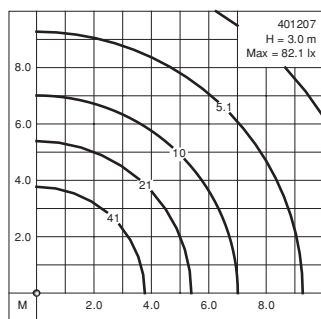
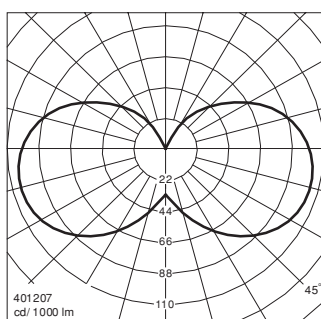
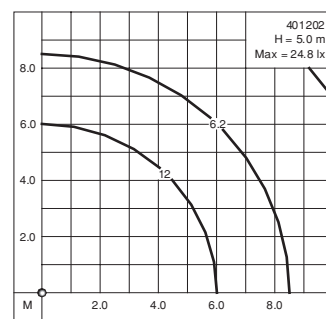
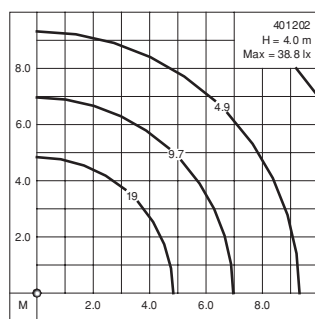
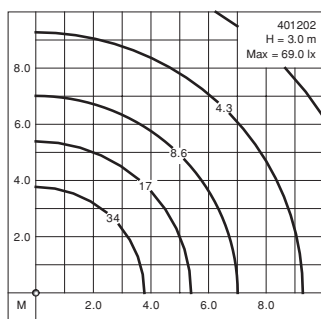
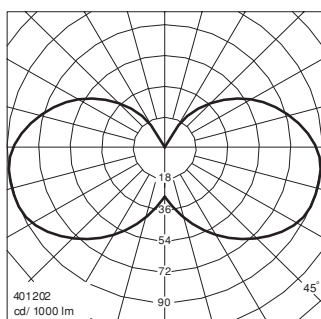
**IP 44** conforming to DIN, VDE, IEC.  
**Class I.**

These luminaires with conical symmetrical light distribution providing a wide spread light output suitable for pole heights of 3000-5000 mm. for lighting private and public areas, hotel, parks, gardens, pedestrian precincts, urban streets and driveways.

- Vandal resistant
- Corrosion resistant die cast aluminium alloy
- Stainless steel screws
- Ultraviolet stabilized white opal polyethylene diffuser
- Weatherproof and durable silicone rubber gasket
- Integral control gear

**Colour** : Ultraviolet stabilized polyester powder coat finish in Black RAL 9005. Other colours are available upon consultation.





			Lumen
<b>401201</b>	Mercury vapour	2xE27 : 50W	2x1800
<b>401202</b>	Mercury vapour	2xE27 : 80W	2x3800
<b>401203</b>	Mercury vapour	2xE27 : 125W	2x6300
<b>401204</b>	Mercury vapour	E40 : 250W	13000
<b>401205</b>	Metal halide	2xE27 : 50W	2x2900
<b>401206</b>	Metal halide	2xE27 : 70W	2x4900
<b>401207</b>	Metal halide	2xE27 : 100W	2x8000
<b>401208</b>	Metal halide	E27 : 150W	12000
<b>401209</b>	Metal halide	E40 : 250W	19000
<b>401210</b>	High pressure sodium	2xE27 : 50W	2x3500
<b>401211</b>	High pressure sodium	2xE27 : 70W	2x5600
<b>401212</b>	High pressure sodium	2xE40 : 100W	2x9500
<b>401213</b>	High pressure sodium	E40 : 150W	14000
<b>401214</b>	High pressure sodium	E40 : 250W	25000