



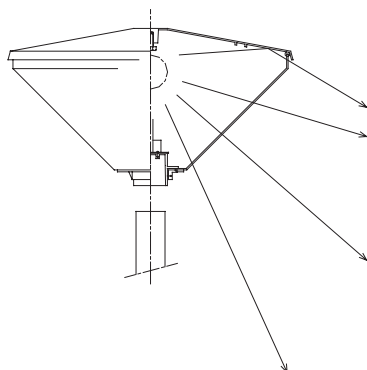
Pole Top Luminaires

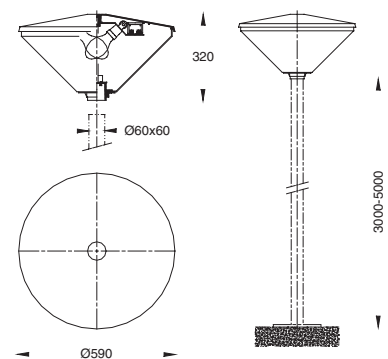
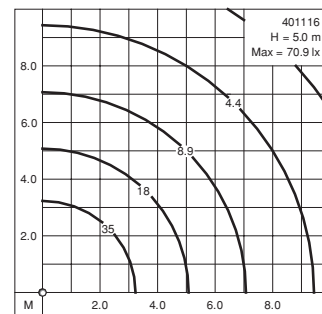
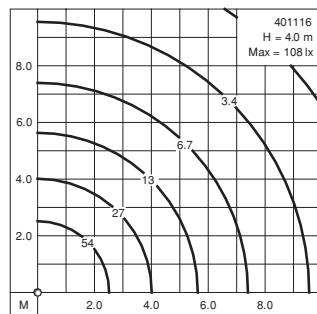
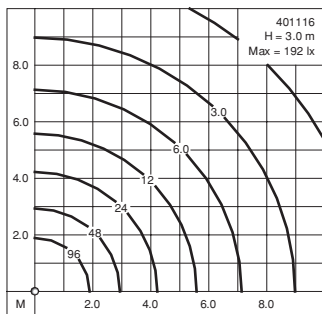
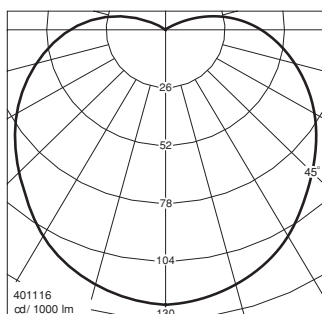
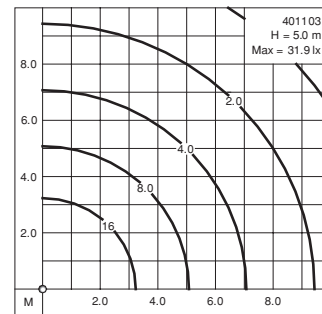
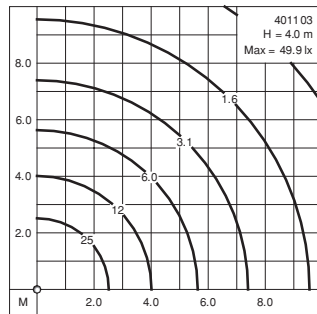
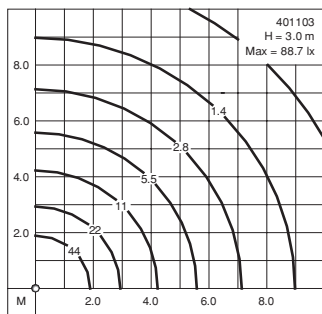
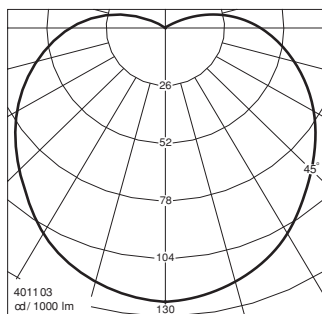
IP 44 conforming to DIN, VDE, IEC.
Class I.

These luminaires with rotationally symmetrical light distribution providing a wide spread light output suitable for pole heights of 3000-5000 mm. for lighting private and public areas, hotel, parks, gardens, pedestrian precincts, urban streets and driveways.

- Vandal resistant
- Corrosion resistant die cast aluminium alloy
- Stainless steel screws
- Ultraviolet stabilized white opal polyethylene diffuser
- Weatherproof and durable silicone rubber gasket
- Integral control gear

Colour : Ultraviolet stabilized polyester powder coat finish in Black RAL 9005. Other colours are available upon consultation.





			Lumen
401101	Mercury vapour	E27 : 80W	3800
401102	Mercury vapour	2xE27 : 80W	2x3800
401103	Mercury vapour	E27 : 125W	6300
401104	Mercury vapour	2xE27 : 125W	2x6300
401105	Metal halide	E27 : 50W	2900
401106	Metal halide	2xE27 : 50W	2x2900
401107	Metal halide	E27 : 70W	4900
401108	Metal halide	2xE27 : 70W	2x4900
401109	Metal halide	E27 : 100W	8000
401110	Metal halide	2xE27 : 100W	2x8000
401111	High pressure sodium	E27 : 50W	3500
401112	High pressure sodium	2xE27 : 50W	2x3500
401113	High pressure sodium	E27 : 70W	5600
401114	High pressure sodium	2xE27 : 70W	2x5600
401115	High pressure sodium	E40 : 100W	9500
401116	High pressure sodium	E40 : 150W	14000

