

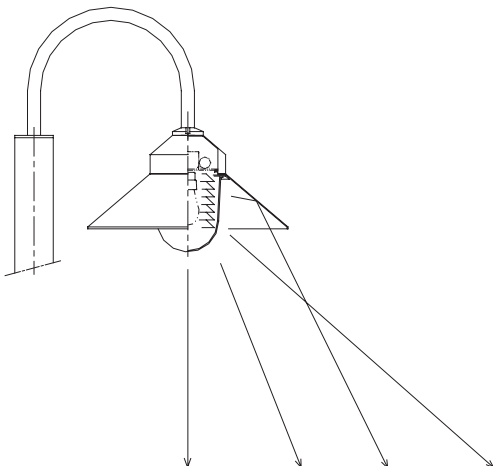
Pole Top Luminaires

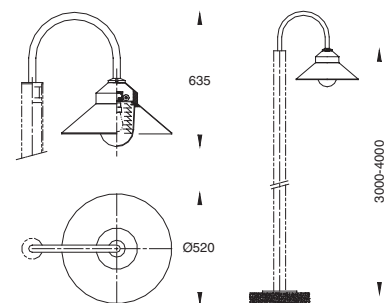
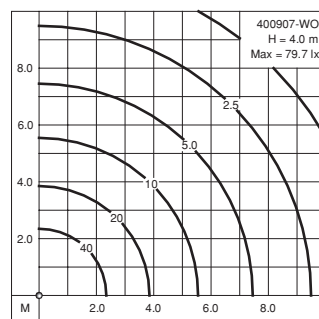
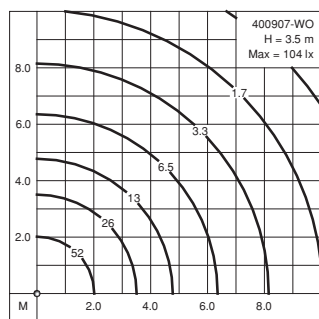
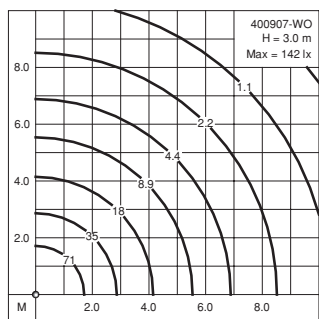
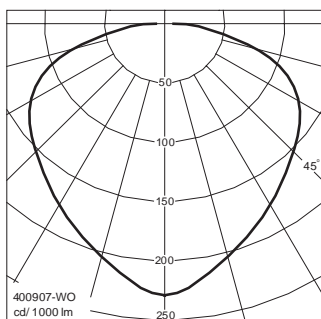
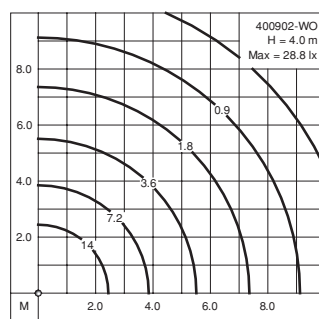
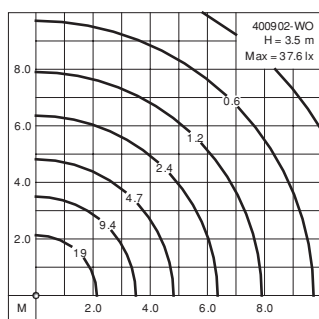
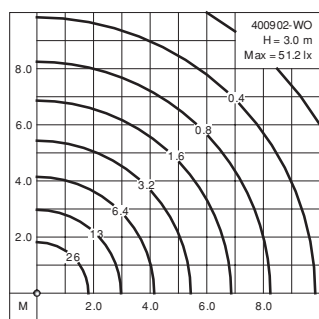
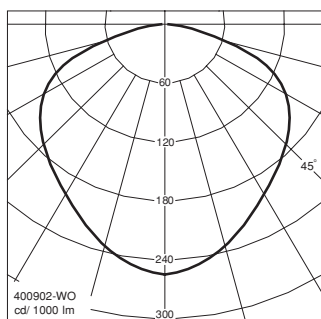
IP 55 Dustproof and Jetproof conforming to DIN, VDE, IEC.
Class I.

These luminaires with rotationally symmetrical light distribution providing a pleasant glarefree lighting suitable for private and public areas, hotel, parks, gardens and pedestrian precincts. These luminaires for pole heights of 3000-4000 mm. with hot dipped galvanized tubular bent bracket for installation in single configuration.

- Corrosion resistant die cast aluminium alloy
- Stainless steel screws
- Ultraviolet stabilized polycarbonate diffuser in white opal or clear with anodized high purity aluminium reflector
- Weatherproof and durable silicone rubber gasket
- Integral control gear
- For **clear** polycarbonate diffuser with louvre reflector, please add "-CL" after the six digits
- For **white opal** polycarbonate diffuser, please add "-WO" after the six digits

Colour : Ultraviolet stabilized polyester powder coat finish in Black RAL 9005. Other colours are available upon consultation.





			Lumen
400901	Compact fluorescent	G24d-3 : 26W	1800
400902	Mercury vapour	E27 : 50W	1800
400903	Mercury vapour	E27 : 80W	3800
400904	Metal halide	E27 : 50W	2900
400905	Metal halide	E27 : 70W	4900
400906	High pressure sodium	E27 : 50W	3500
400907	High pressure sodium	E27 : 70W	5600