



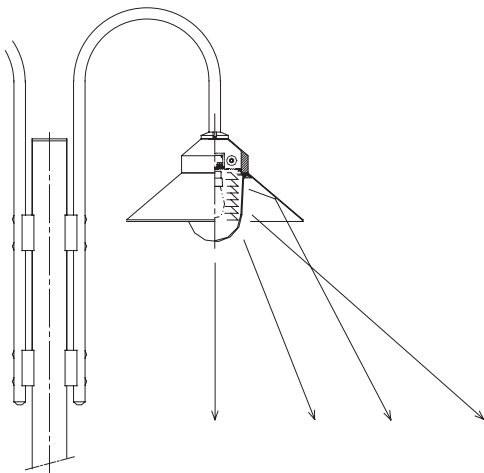
Pole Top Luminaires

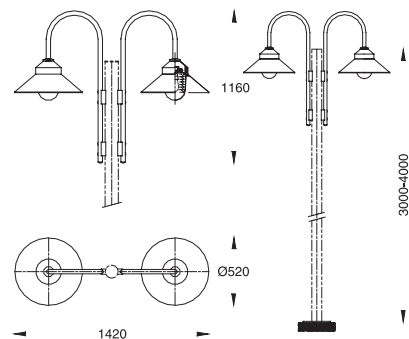
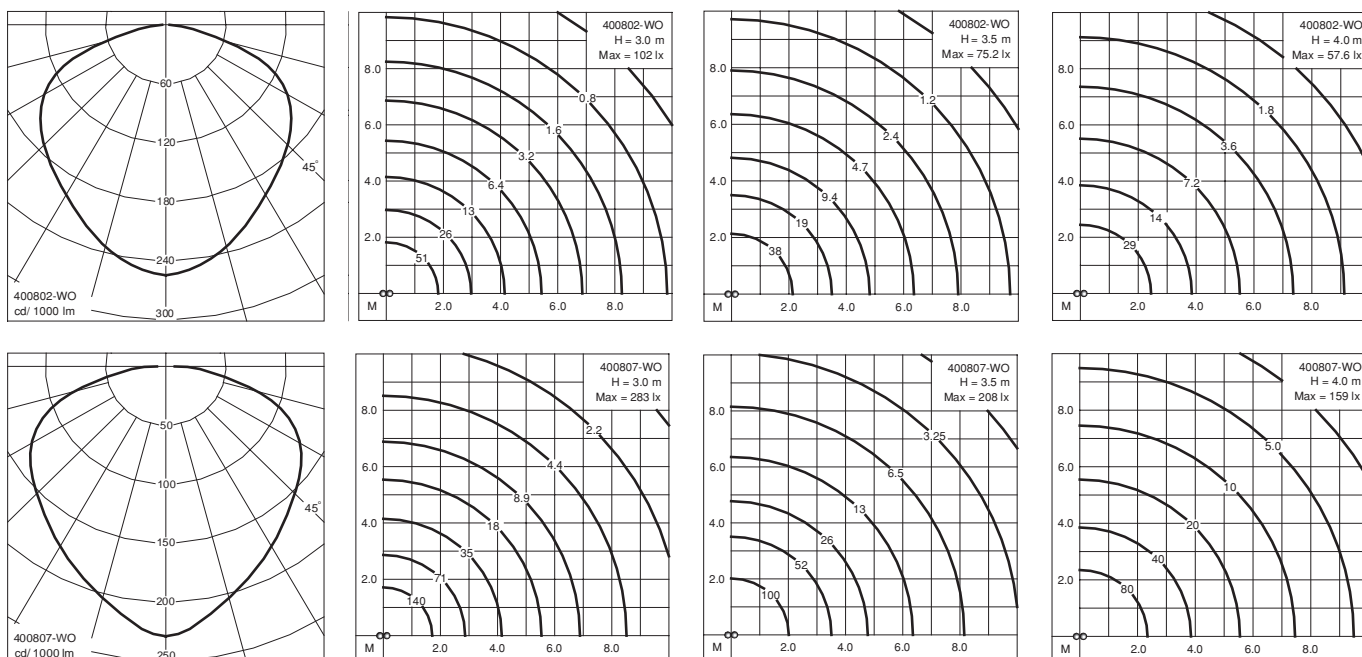
IP 55 Dustproof and Jetproof conforming to DIN, VDE, IEC.
Class I.

These luminaires with rotationally symmetrical light distribution providing a pleasant glarefree lighting suitable for private and public areas, hotel, parks, gardens and pedestrian precincts. These luminaires for pole heights of 3000-4000 mm. with hot dipped galvanized tubular bent bracket for installation in single, double and triple configuration.

- Corrosion resistant die cast aluminium alloy
- Stainless steel screws
- Ultraviolet stabilized polycarbonate diffuser in white opal or clear with anodized high purity aluminium reflector
- Weatherproof and durable silicone rubber gasket
- Integral control gear
- For **clear** polycarbonate diffuser with louvre reflector, please add "-CL" after the six digits
- For **white opal** polycarbonate diffuser, please add "-WO" after the six digits

Colour : Ultraviolet stabilized polyester powder coat finish in Black RAL 9005. Other colours are available upon consultation.





			Lumen
400801	Compact fluorescent	2xG24d-3 : 26W	2x1800
400802	Mercury vapour	2xE27 : 50W	2x1800
400803	Mercury vapour	2xE27 : 80W	2x3800
400804	Metal halide	2xE27 : 50W	2x2900
400805	Metal halide	2xE27 : 70W	2x4900
400806	High pressure sodium	2xE27 : 50W	2x3500
400807	High pressure sodium	2xE27 : 70W	2x5600