



Pole Top Luminaires

IP 54 Dustproof and Splashproof conforming to DIN, VDE, IEC.

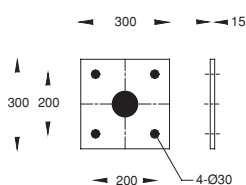
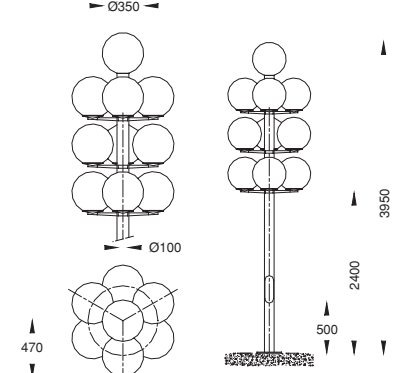
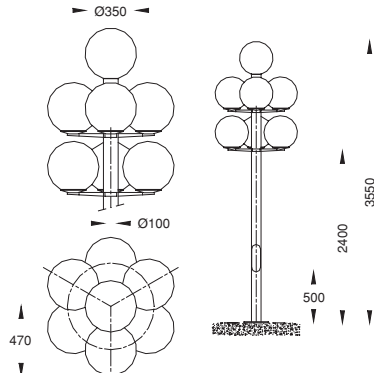
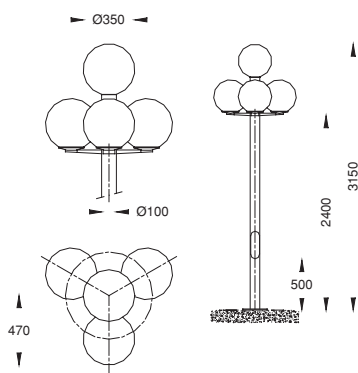
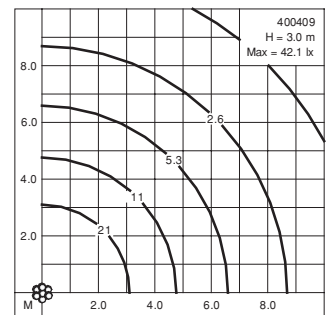
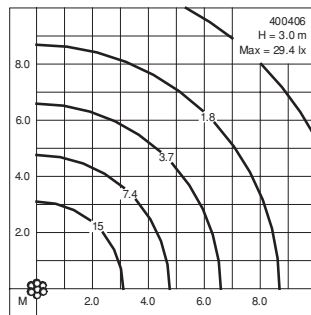
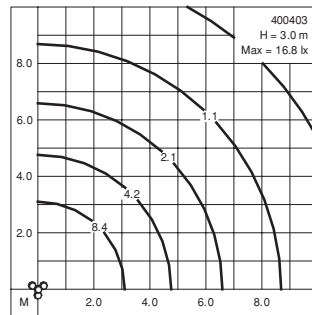
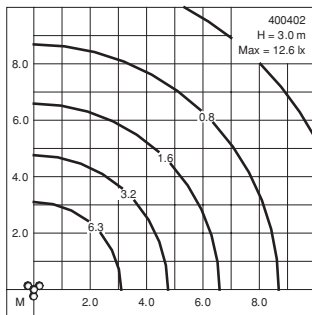
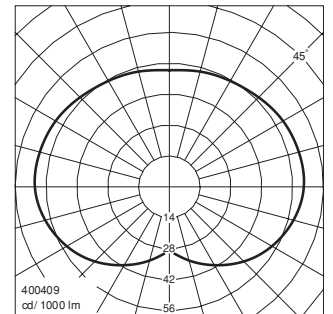
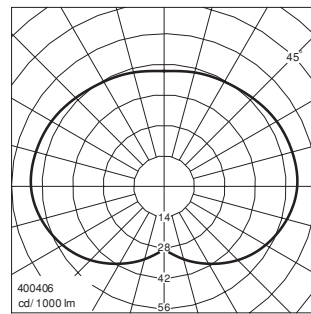
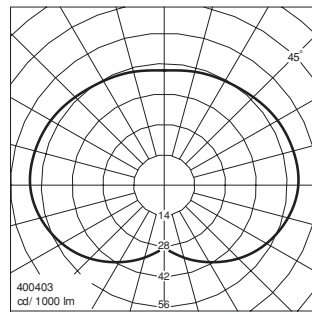
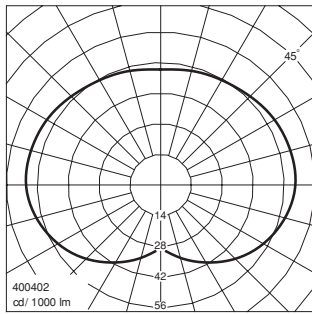
Class I.

Side and pole top mounted luminaires with rotationally symmetrical light distribution in top and side configuration on one level on the pole suitable for the lighting of private and public areas, hotel and condominium premises, pedestrian precincts, parks and etc.

- Vandal resistant
- Corrosion resistant die cast aluminium alloy
- Stainless steel screws
- Ultraviolet stabilized white opal polyethylene diffuser
- Weatherproof and durable silicone rubber gasket
- Integral control gear

Colour : Ultraviolet stabilized polyester powder coat finish in Black RAL 9005. Other colours are available upon consultation.





Bottom plate

1 Level		Lumen	
400401	4 Spheres	E27 : 100W	4x1380
400402	4 Spheres	G24d-1 : 10/13W	4x600/900
400403	4 Spheres	G24d-2 : 18W	4x1200
2 Levels			
400404	7 Spheres	E27 : 100W	7x1380
400405	7 Spheres	G24d-1 : 10/13W	7x600/900
400406	7 Spheres	G24d-2 : 18W	7x1200
3 Levels			
400407	10 Spheres	E27 : 100W	10x1380
400408	10 Spheres	G24d-1 : 10/13W	10x600/900
400409	10 Spheres	G24d-2 : 18W	10x1200