

Pole Top Luminaires

IP 54 Dustproof and Splashproof conforming to DIN, VDE, IEC.

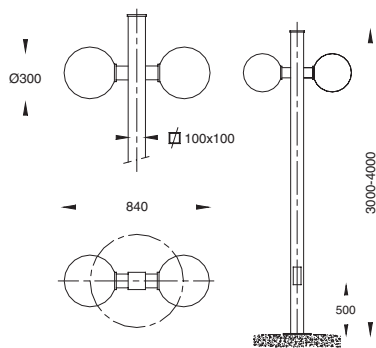
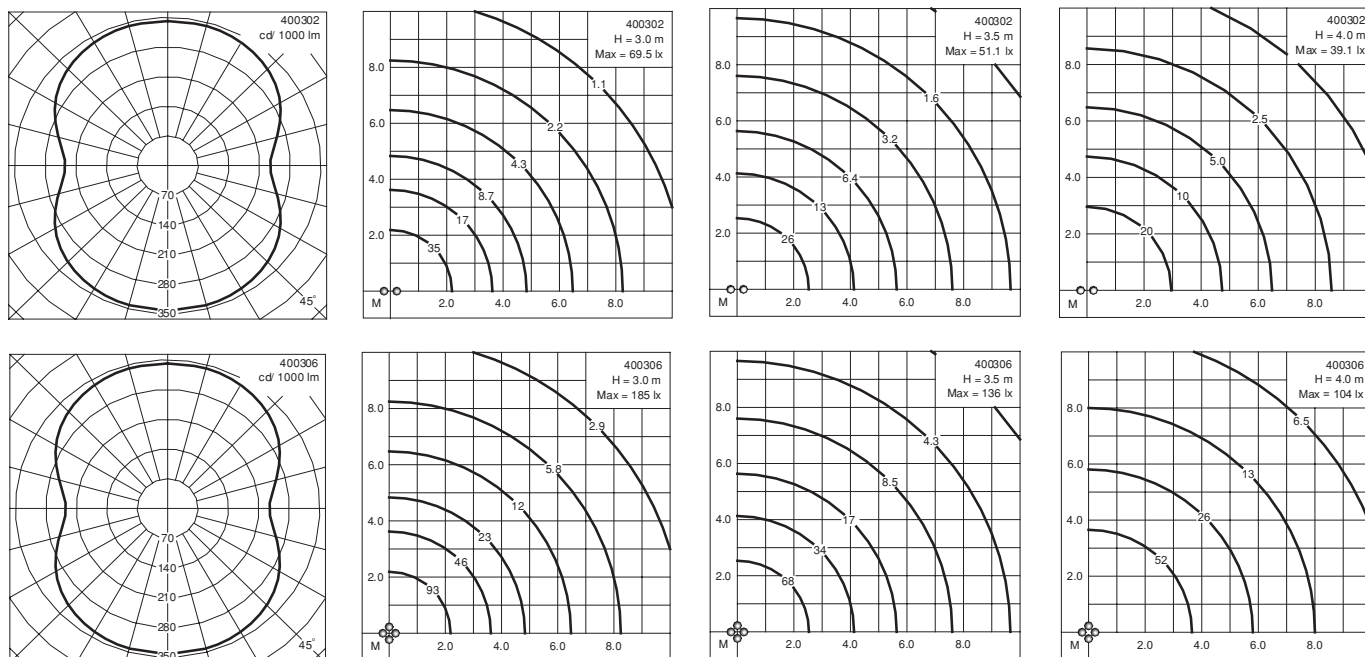
Class I.

Side-mounted pole top luminaires with rotationally symmetrical light distribution in double or quadruple configuration on one level on the pole suitable for the lighting of private and public areas, hotel and condominium premises, pedestrian precincts, parks and etc.

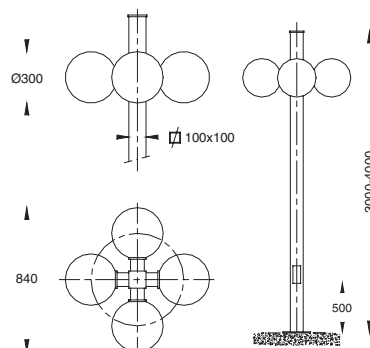
- Vandal resistant
- Corrosion resistant die cast aluminium alloy
- Stainless steel screws
- Ultraviolet stabilized white opal polyethylene diffuser
- Weatherproof and durable silicone rubber gasket
- Integral control gear

Colour : Ultraviolet stabilized polyester powder coat finish in Black RAL 9005. Other colours are available upon consultation.

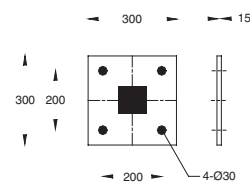




2-Spheres



4-Spheres



Bottom plate



2 Spheres

Model	Light Source	Power	Lumen
400301	Compact fluorescent	2xE27 : 25W	2x1200
400302	Compact fluorescent	2xG24d-1 : 10/13W	2x600/900
400303	Compact fluorescent	2xG24d-2 : 18W	2x1200

4 Spheres

400304	Compact fluorescent	4xE27 : 25W	4x1200
400305	Compact fluorescent	4xG24d-1 : 10/13W	4x600/900
400306	Compact fluorescent	4xG24d-2 : 18W	4x1200