



Pole Top Luminaires

IP 54 Dustproof and Splashproof conforming to DIN, VDE, IEC.

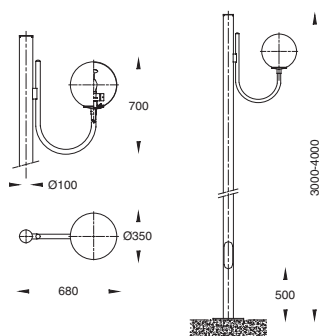
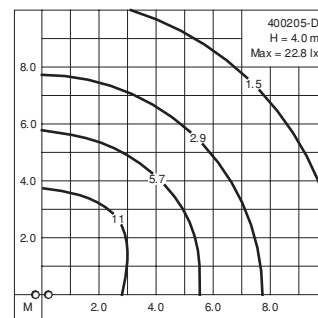
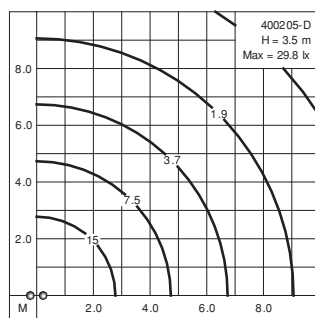
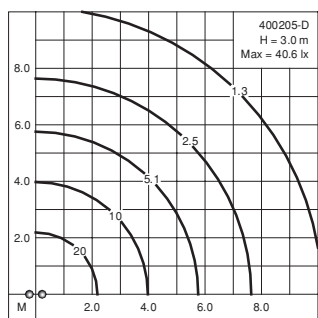
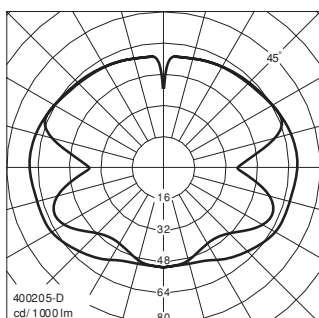
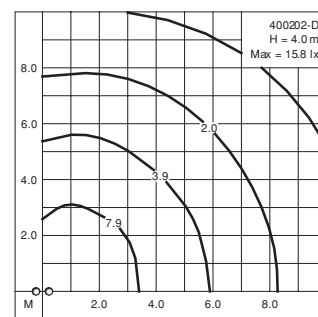
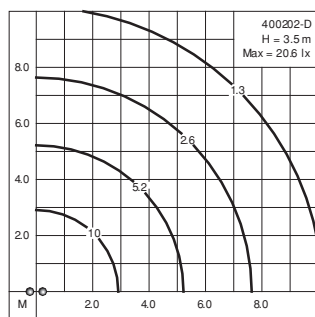
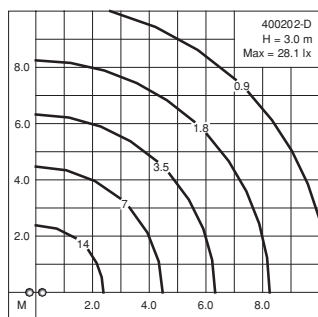
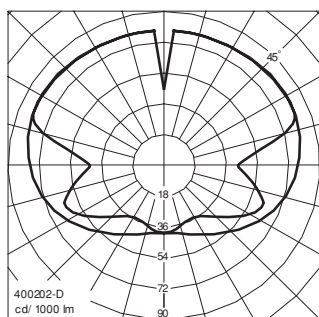
Class I.

Spherical luminaires with rotationally symmetrical light distribution are suitable for the lighting of private and public areas, hotel and condominium premises, pedestrian precincts, parks and etc. These pole top luminaires are designed for installation in single, double and triple configuration for pole height of 3000-4000 mm.

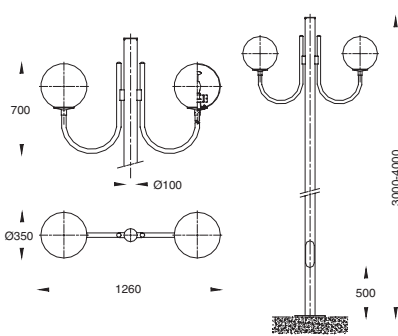
- Vandal resistant
- Corrosion resistant die cast aluminium alloy
- Stainless steel screws
- Ultraviolet stabilized white opal polyethylene diffuser
- Weatherproof and durable silicone rubber gasket
- Integral control gear
- For single luminaires, please "-S" after the six digits
- For double luminaires, please "-D" after the six digits
- For triple luminaires, please "-T" after the six digits

Colour : Ultraviolet stabilized polyester powder coat finish in Black RAL 9005. Other colours are available upon consultation.

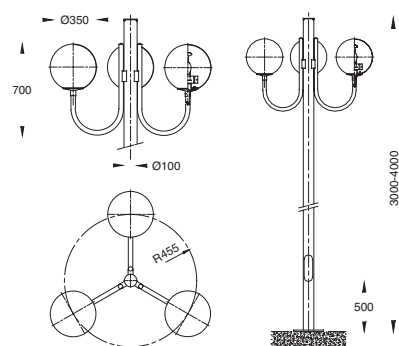




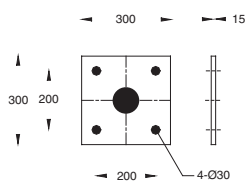
Single



Double



Triple



Bottom plate

			Lumen
400201	Incandescent	E27 : 60W	730
400202	Compact fluorescent	E27 : 25W	1200
400203	Compact fluorescent	G24d-2 : 18W	1200
400204	Compact fluorescent	G24d-3 : 26W	1800
400205	Mercury vapour	E27 : 50W	1800