



Pole Top Luminaires

IP 54 Dustproof and Splashproof conforming to DIN, VDE, IEC.

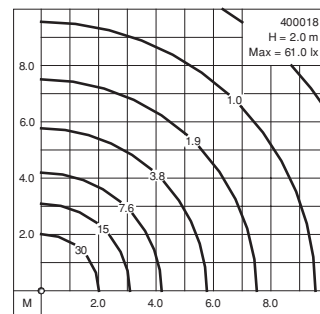
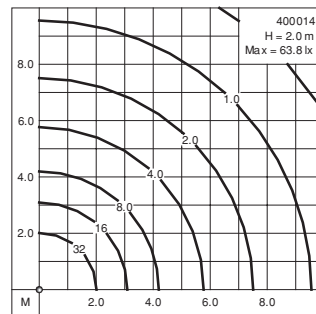
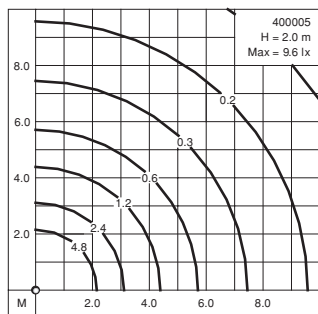
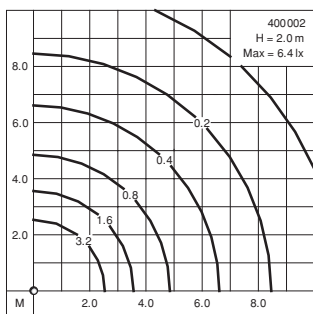
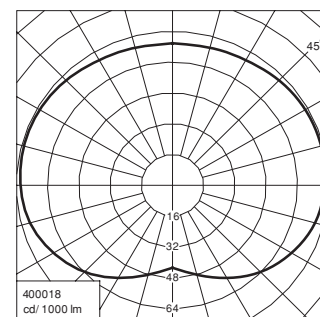
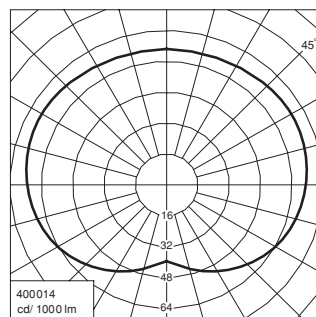
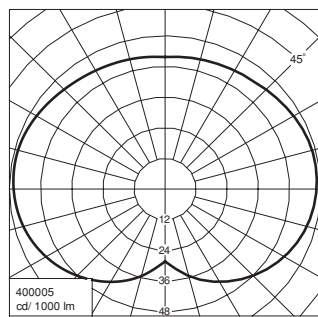
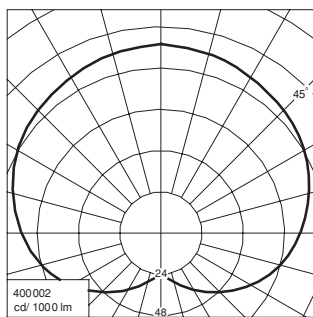
Class I.

Spherical luminaires with rotationally symmetrical light distribution are suitable for the lighting of private and public areas, hotel and condominium premises, pedestrian precincts, parks and etc.

- Vandal resistant
- Corrosion resistant die cast aluminium alloy
- Stainless steel screws
- Ultraviolet stabilized white opal polyethylene diffuser
- Weatherproof and durable silicone rubber gasket
- Integral control gear

Colour : Ultraviolet stabilized polyester powder coat finish in Black RAL 9005. Other colours are available upon consultation.





d=250

400001	Incandescent	E27 : 60W	1380
400002	Compact fluorescent	G24d-1 : 10/13W	600/900

d=300

400003	Incandescent	E27 : 100W	1380
400004	Compact fluorescent	G24d-1 : 10/13W	600/900
400005	Compact fluorescent	G24d-2 : 18W	1200

d=350

400006	Incandescent	E27 : 100W	1380
400007	Compact fluorescent	G24d-2 : 18W	1200
400008	Compact fluorescent	G24d-3 : 26W	1800
400009	Mercury vapour	E27 : 50W	1800

d=400

400010	Incandescent	E27 : 150W	2220
400011	Compact fluorescent	G24d-2 : 18W	1200
400012	Compact fluorescent	G24d-3 : 26W	1800
400013	Mercury vapour	E27 : 80W	3800
400014	Mercury vapour	E27 : 125W	6300
400015	Metal halide	E27 : 50W	2900
400016	Metal halide	E27 : 70W	4900
400017	Metal halide	E27 : 100W	8000
400018	High pressure sodium	E27 : 70W	5600
400019	High pressure sodium	E40 : 100W	9500

d=450

400020	Incandescent	E27 : 150W	2220
400021	Mercury vapour	E27 : 125W	6300
400022	Metal halide	E27 : 50W	2900
400023	Metal halide	E27 : 70W	4900
400024	Metal halide	E27 : 100W	8000
400025	High pressure sodium	E27 : 70W	5600
400026	High pressure sodium	E40 : 100W	9500

d=500

400027	Mercury vapour	E27 : 125W	6300
400028	Metal halide	E27 : 100W	8000
400029	High pressure sodium	E40 : 100W	9500

