

**Wall mounting
Up & down luminaires**

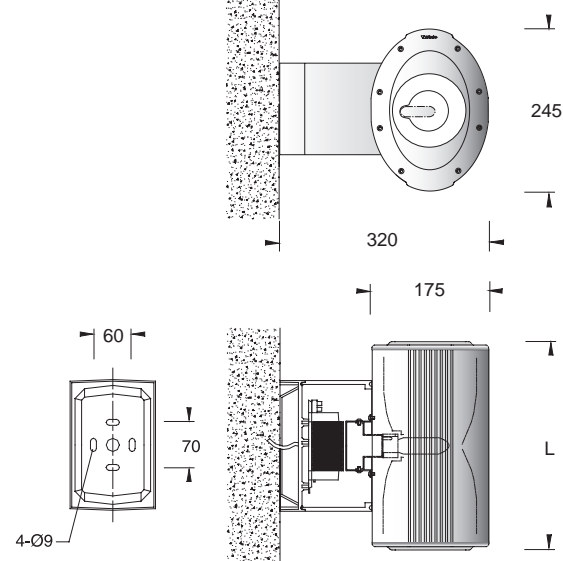
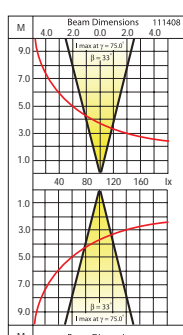
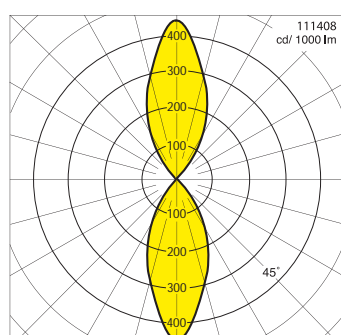
**Halogen lamps
Compact fluorescent lamps
For H.I.D. lamps**

IP 65 Dusttight and Jetproof
conforming to DIN, VDE, IEC.
Class I.

These elliptical shape designed wall mounting up and down luminaires are suitable for all areas of interior and exterior lighting. They are constructed from corrosion resistant die cast aluminium alloy and are perfect for the areas wherever dust and moisture are likely to deteriorate the property of the reflector and lamp. The very strong fastening system ensures the installation of this unit in firm position. Suitable for installation in wall, column, corridors, hotels entrance illumination and etc.

- Corrosion resistant die cast aluminium alloy body and frame
- Lens made of thermal shock resistant safety glass
- Stainless steel screws
- Weatherproof and durable silicone rubber gaskets
- Integral control gear
- Cable entries facilitate through wiring
- High purity anodized reflector chemically brightened

Colour : Ultraviolet stabilized polyester powder coat finish in Black RAL 9005.
Other colours are available upon consultation.



			Lumen	L	Kgs.*
111401	Compact fluorescent (EL)	2xE27 : 15/20/23W	900/1200/1500	300	6.0
111402	Compact fluorescent	2xG24d-1 : 10/13W	600/900	300	6.0
111403	Compact fluorescent	2xG24d-2 : 18W	1200	330	6.0
111404	Compact fluorescent	2xG24d-3 : 26W	800	370	6.0
111405	Halogen	E27 : 60W	820	300	6.0
111406	Metal halide	G12 : 35W	3300	300	6.0
111407	Metal halide	G12 : 70W	6600	300	6.0
111408	Metal halide	G12 : 150W	13000	300	6.0



* Appr. without control gear