

**Wall mounting
Up / down luminaires**

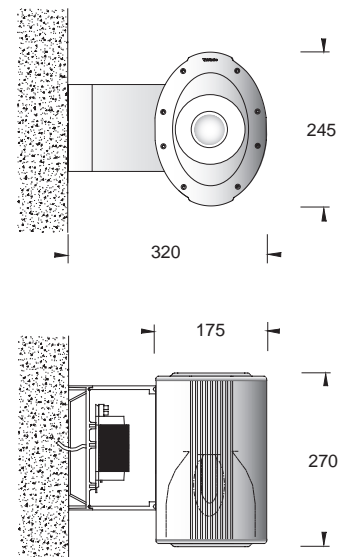
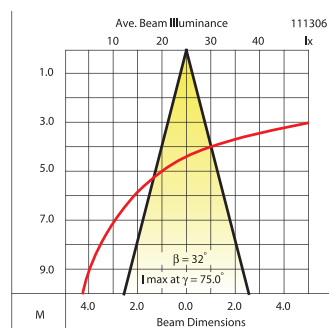
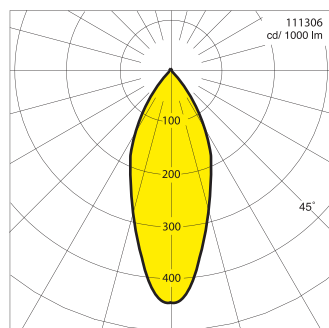
**Halogen lamps
Compact fluorescent lamps
For H.I.D. lamps**

IP 65 Dusttight and Jetproof conforming to DIN, VDE, IEC.
Class I.

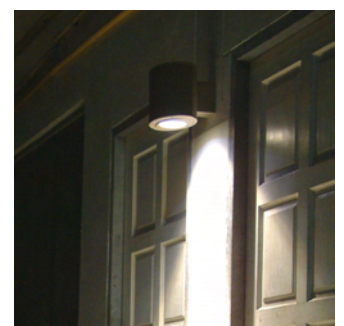
These elliptical shape designed wall mounting up or down luminaires are suitable for all areas of interior and exterior lighting. They are constructed from corrosion resistant die cast aluminium alloy and are perfect for the areas wherever dust and moisture are likely to deteriorate the property of the reflector and lamp. The very strong fastening system ensures the installation of this unit in firm position. Suitable for installation in wall, column, corridors, hotels entrance illumination and etc.

- Corrosion resistant die cast aluminium alloy body and frame
- Lens made of thermal shock resistant safety glass
- Stainless steel screws
- Weatherproof and durable silicone rubber gaskets
- Integral control gear
- Cable entries facilitate through wiring
- High purity anodized reflector chemically brightened

Colour : Ultraviolet stabilized polyester powder coat finish in Black RAL 9005.
Other colours are available upon consultation.



			Lumen	Kgs.*
111301	Halogen	E27 : 60W	820	5.5
111302	Compact fluorescent (EL)	E27 : 15/20/23W	900/1200/1500	5.5
111303	Compact fluorescent	G24d-1 : 10/13W	600/900	5.5
111304	Compact fluorescent	G24d-2 : 18W	1200	5.5
111305	Compact fluorescent	G24d-3 : 26W	800	5.5
111306	Metal halide	G12 : 35W	3300	5.5
111307	Metal halide	G12 : 70W	6600	5.5
111308	Metal halide	G12 : 150W	14000	5.5
111309	Metal halide	E27 : 50W	3100	5.5
111310	Metal halide	E27 : 70W	4900	5.5
111311	Metal halide	E27 : 100W	8000	5.5
111312	High pressure sodium	E27 : 50W	3500	5.5
111313	High pressure sodium	E27 : 70W	5600	5.5



* Appr. without control gear