



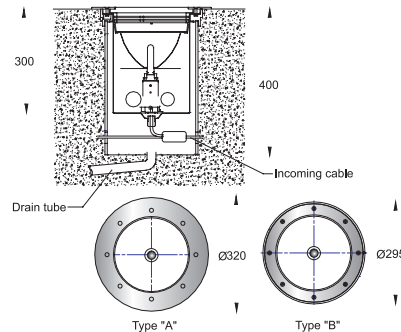
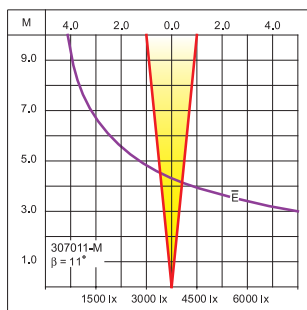
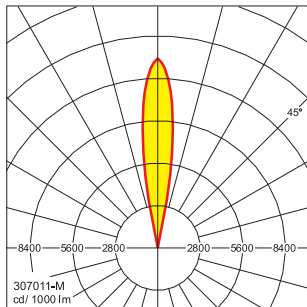
Narrow beam



Medium beam



Wide beam



		T		Lumen
307001	Halogen	120°	E27 : 150W	2500
307002	Halogen (12V)	100°	GY6.35 : 100W	2200
307003	Compact fluorescent	40°	G24d-3 : 26W	1800
307004	Mercury vapour	60°	E27 : 50W	1800
307005	Mercury vapour	90°	E27 : 80W	3800
307006	Metal halide	60°	E27 : 50W	3400
307007	Metal halide	90°	E27 : 70W	4900
307008	Metal halide	102°	E27 : 100W	8000
307009	High pressure sodium	60°	E27 : 50W	3500
307010	High pressure sodium	90°	E27 : 70W	5600
307011	Metal halide	50°	G12 : 35W	3300
307012	Metal halide	90°	G12 : 70W	6600
307013	Metal halide	120°	G12 : 150W	14000

Inground uplight

Discharge lamps Compact fluorescent lamps Halogen lamps

IP 67 Dusttight and Watertight conforming to DIN, VDE, IEC.
Class I.

The inground uplight luminaires are constructed in 304 grade stainless steel and frame in 316 grade stainless steel. Symmetric light distribution reflectors are made of anodized high purity aluminium, chemically brightened. Thermal shock resistant safety glass lens sealed with weatherproof and durable silicone rubber gasket can withstand a maximum load of 5000 kgs. Termination is factory-sealed complete with IP 68 cable gland M20x1.5 and flexible cable of 1.5 meters long. Removable reflector and gear assembly unit without tool. This inground uplight luminaire is suitable for illuminating trees, bushes, flagpoles, building facades, etc.

The distance between the luminaires and the illuminated surface of objects must be at least 0.5 meter.

- Corrosion resistant stainless steel housing in 304 grade
- Stainless steel frame in 316 grade
- Stainless steel screws
- Tempered stepped glass lens
- Anodized high purity aluminium reflector
- Weatherproof and durable moulded silicone rubber gasket
- Integral control gear
- Termination with factory-sealed complete with IP 68 cable gland M20x1,5 and flexible cable of 1.5 meters long
- Ultraviolet stabilized polyester powder coat finish in Black RAL 9005

- For Narrow beam, add "- N"
- Medium beam, add "- M"
- Wide beam, add "- W"
- suffix to the six digits designation

Remark; Type "A" or "B" please request

Accessories

- Source shield -----> See page 32
- Colour filters -----> See page 32
- Spread/ Flood lens -----> See page 32