

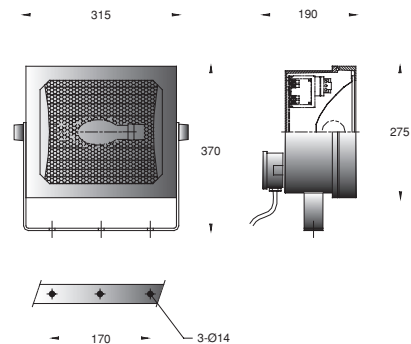
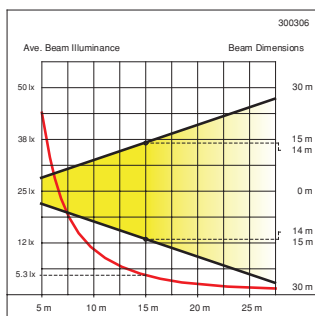
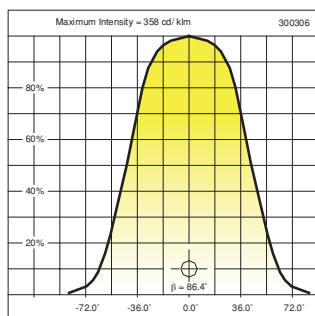


Wide beam floodlight

IP 65 Dusttight and Jetproof conforming to DIN, VDE, IEC.
Class I.

Corrosion resistant die cast aluminium alloy body. Thermal shock resistant safety glass in aluminium frame. Stainless steel screws. Weatherproof and durable silicone rubber gasket. High purity anodized reflector chemically brightened. M20x1.5 cable entry diameter 7.5 to 13.5 mm.

Colour : Ultraviolet stabilized polyester powder coat finish in Black RAL 9005. Other colours are available upon consultation.



			Lumen
300301	Tungsten halogen	R7s : 200/300/500W	3200/5000/9500
300302	Compact fluorescent	G24d-3 : 26W	1800
300303	Mercury vapour	E27 : E-50W	1800
300304	Mercury vapour	E27 : E-80W	3800
300305	High pressure sodium	E27 : E-50W	3500
300306	High pressure sodium	E27 : E-70W	5600