



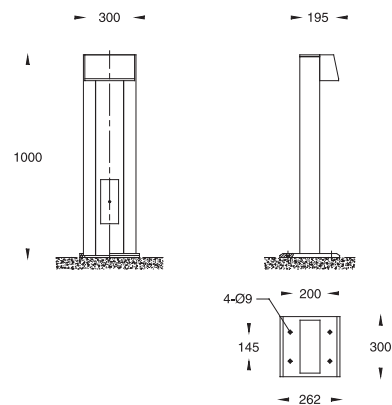
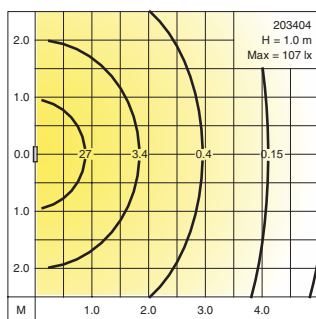
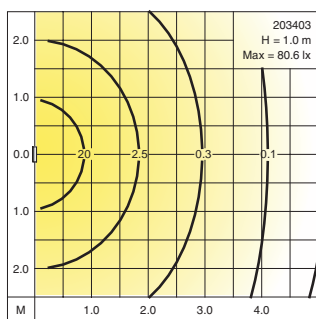
Bollards

Compact fluorescent lamps
Incandescent lamps

IP 55 Dustproof and Jetproof conforming to DIN, VDE, IEC.
Class I.

These architecturally designed bollards are suitable for incandescent and energy saving fluorescent lamps providing a pleasant light distribution suitable for gardens, residential areas, walkpaths, hotel premises, parks, fence lights and etc.

- Corrosion resistant die cast aluminium alloy
- Extruded aluminium post
- Vandal resistant lens made of UV stabilized white opal polycarbonate
- Stainless steel screws
- Weatherproof and durable silicone rubber gasket
- Integral control gear
- Ultraviolet stabilized polyester powder coat finish in Black RAL 9005
- Other colours available upon consultation



			Lumen
203401	Incandescent	E14 : 40W	400
203402	Compact fluorescent	G23 : 5/7/9W	250/400/600
203403	Compact fluorescent	G24d-1 : 10/13W	600/900
203404	Compact fluorescent	G24d-2 : 18W	1200