



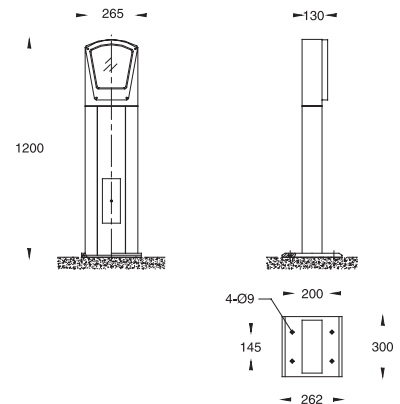
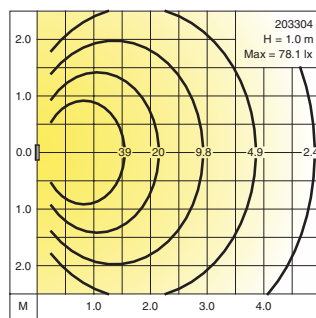
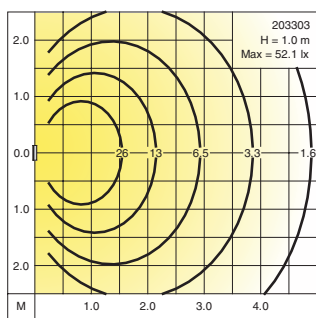
Bollards

Compact fluorescent lamps

IP 55 Dustproof and Jetproof conforming to DIN, VDE, IEC.
Class I.

These architecturally designed bollards are suitable for energy saving fluorescent lamps providing a pleasant light distribution suitable for gardens, residential areas, walkpaths, hotel premises, parks, fence lights and etc.

- Corrosion resistant die cast aluminium alloy
- Extruded aluminium post
- Vandal resistant lens made of UV stabilized white opal polycarbonate
- Stainless steel screws
- Weatherproof and durable silicone rubber gasket
- Integral control gear
- Ultraviolet stabilized polyester powder coat finish in Black RAL 9005
- Other colours available upon consultation



			Lumen
203301	Compact fluorescent	G23 : 5/7/9W	250/400/600
203302	Compact fluorescent	G24d-1 : 10/13W	600/900
203303	Compact fluorescent	G24d-2 : 18W	1200
203304	Compact fluorescent	G24d-3 : 26W	1800