



081



082



083

Bollards

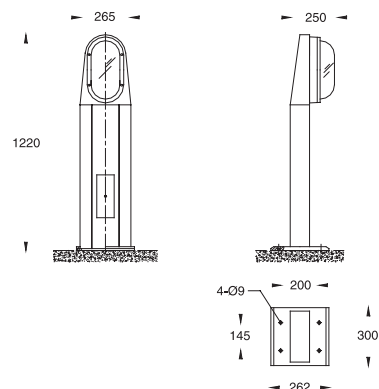
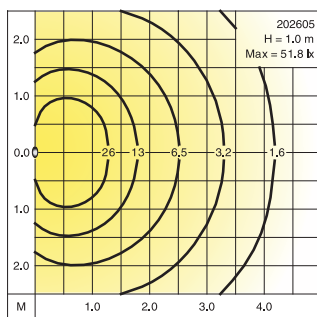
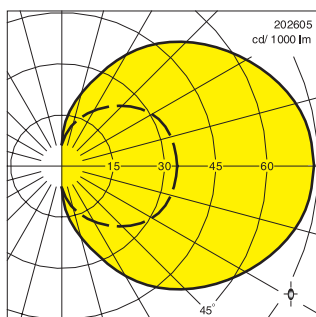
Compact fluorescent lamps Halogen lamps

IP 55 Dustproof and Jetproof conforming to DIN, VDE, IEC.
Class I.

These architecturally designed bollards are suitable for halogen and energy saving fluorescent lamps providing a pleasant light distribution suitable for gardens, residential areas, walkpaths, hotel premises, parks, fence lights and etc.

- Corrosion resistant die cast aluminium alloy
- Extruded aluminium post
- Vandal resistant lens made of UV stabilized white opal polycarbonate
- Stainless steel screws
- Weatherproof and durable silicone rubber gasket
- Integral control gear
- Ultraviolet stabilized polyester powder coat finish in Black RAL 9005
- Other colours available upon consultation

- For die cast aluminium faceplate 081 up to 083, add "-081", "-082", "-083", on request after the six digits



			Lumen
202601	Halogen	E27 : 60W	820
202602	Halogen	E27 : 75W	1100
202603	Compact fluorescent	G24d-1 : 10/13W	600/900
202604	Compact fluorescent	G24d-2 : 18W	1200
202605	Compact fluorescent	G24d-3 : 26W	1800