



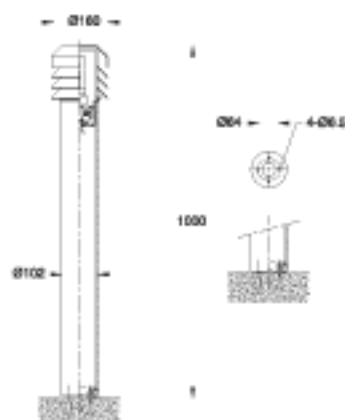
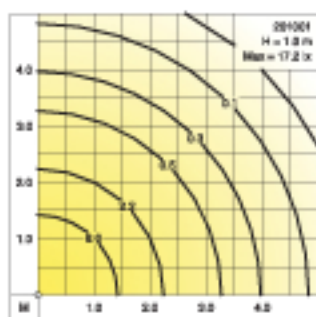
## Bollards

### Compact fluorescent lamps

**IP 54** Dustproof and Splashproof conforming to DIN, VDE, IEC.  
**Class I.**

Bollards for energy saving fluorescent lamps. Louvers and diffuser provide rotationally symmetrical light distribution. Suitable for gardens, residential areas, walkpaths, hotel premises, parks, etc.

- Corrosion resistant die cast aluminium alloy body and louvers
- Vandal resistant diffuser made of white opal HDPE-S (High density polyethylene)
- Weatherproof and durable silicone rubber gasket
- Stainless steel screws
- Extruded aluminium post
- Integral control gear
- Ultraviolet stabilized polyester powder coat finish in Black RAL 9005
- Other colours available upon consultation



			Lumen
201001	Compact fluorescent	G24d-1 : 10/13W	600/900
201002	Compact fluorescent (EL)	E27 : 15/20/23W	900/1200/1500