



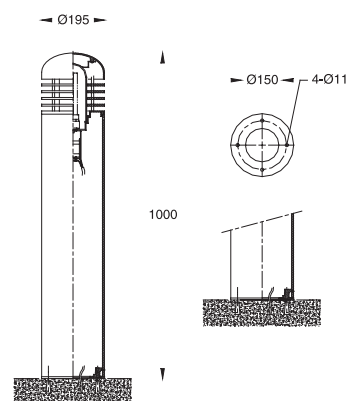
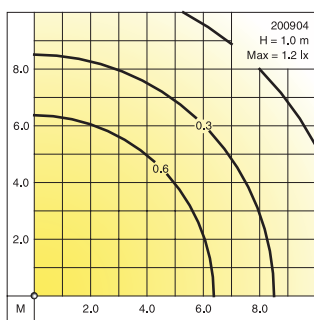
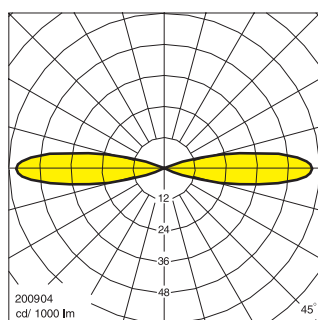
Bollards

**Compact fluorescent lamps
Discharge lamps
Incandescent lamps**

IP 55 Dustproof and Jetproof
conforming to DIN, VDE, IEC.
Class I.

Bollards for energy saving fluorescent lamps, discharge lamps and incandescent lamps, tempered glass lens providing rotationally symmetrical light distribution in wide spread with glare-free lighting. Suitable for directional lighting, gardens, residential areas, hotel premises, parks and public areas.

- Corrosion resistant die cast aluminium alloy
- Stainless steel screws
- Concealed tempered glass lens
- Weatherproof and durable silicone rubber gasket
- Extruded aluminium post
- Ultraviolet stabilized polyester powder coat finish in Black RAL 9005
- Other colours available upon consultation



			Lumen
200901	Incandescent	E27 : 60W	730
200902	Compact fluorescent	G24d-1 : 10/13W	600/900
200903	Compact fluorescent	G24d-2 : 18W	1200
200904	Mercury vapour	E27 : 50W	1800
200905	Mercury vapour	E27 : 80W	3800
200906	Metal halide	E27 : 50W	3100
200907	Metal halide	E27 : 70W	4900
200908	Metal halide	E27 : 100W	8000
200909	High pressure sodium	E27 : 50W	3500
200910	High pressure sodium	E27 : 70W	5600

* Light and Sound bollards please see P,44