



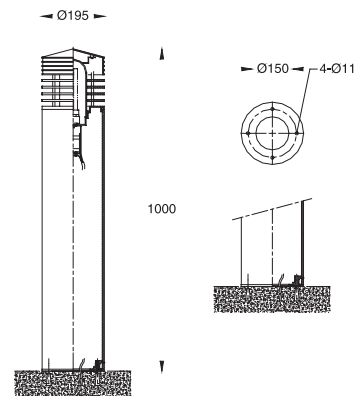
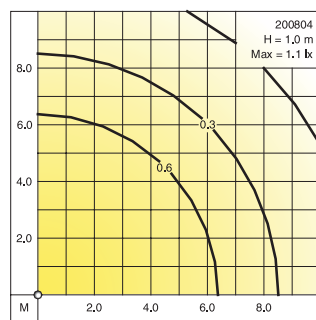
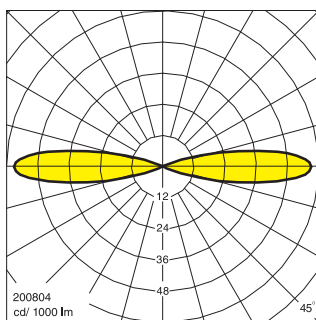
## Bollards

**Compact fluorescent lamps**  
**Discharge lamps**  
**Incandescent lamps**

**IP 55** Dustproof and Jetproof conforming to DIN, VDE, IEC.  
**Class I.**

Bollards for energy saving fluorescent lamps, discharge lamps and incandescent lamps. Lens made of clear polycarbonate providing rotationally symmetrical light distribution with glare-free lighting. Suitable for gardens, residential areas, pedestrian precincts, hotel premises, parks and public areas.

- Corrosion resistant die cast aluminium alloy
- Stainless steel
- Concealed tempered glass lens
- Weatherproof and durable silicone rubber gasket
- Extruded aluminium post
- Ultraviolet stabilized polyester powder coat finish in Black RAL 9005
- Other colours available upon consultation



			Lumen
<b>200801</b>	Incandescent	E27 : 60W	730
<b>200802</b>	Compact fluorescent	G24d-1 : 10/13W	600/900
<b>200803</b>	Compact fluorescent	G24d-2 : 18W	1200
<b>200804</b>	Mercury vapour	E27 : 50W	1800
<b>200805</b>	Mercury vapour	E27 : 80W	3800
<b>200806</b>	Metal halide	E27 : 50W	3100
<b>200807</b>	Metal halide	E27 : 70W	4900
<b>200808</b>	Metal halide	E27 : 100W	8000
<b>200809</b>	High pressure sodium	E27 : 50W	3500
<b>200810</b>	High pressure sodium	E27 : 70W	5600