



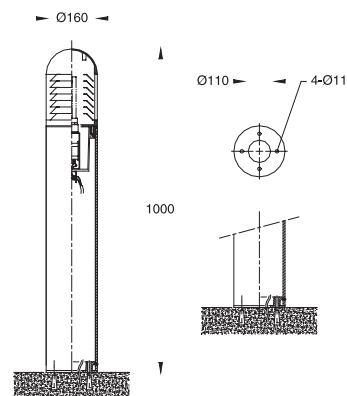
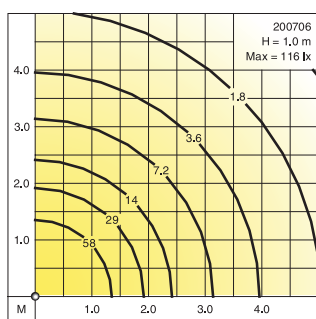
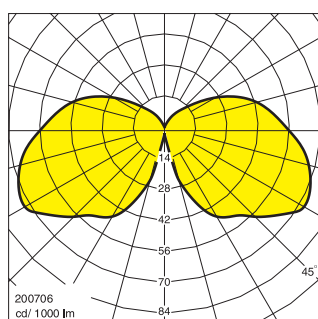
Bollards

**Compact fluorescent lamps
Discharge lamps
Incandescent lamps**

IP 55 Dustproof and Jetproof conforming to DIN, VDE, IEC.
Class I.

Bollards for energy saving fluorescent lamps, discharge lamps and incandescent lamps. Lens made of clear polycarbonate providing rotationally symmetrical light distribution with glare-free lighting. Suitable for gardens, residential areas, pedestrian precincts, hotel premises, parks and public areas.

- Corrosion resistant die cast aluminium alloy
- Stainless steel screws
- Vandal resistant lens made of UV stabilized clear polycarbonate
- Anodized high purity aluminium reflectors
- Weatherproof and durable silicone rubber gasket
- Extruded aluminium post
- Ultraviolet stabilized polyester powder coat finish in Black RAL 9005
- Other colours available upon consultation



			Lumen
200701	Incandescent	E27 : 60W	730
200702	Compact fluorescent	G24d-1 : 10/13W	600/900
200703	Compact fluorescent	G24d-2 : 18W	1200
200704	Compact fluorescent	G24d-3 : 26W	1800
200705	Mercury vapour	E27 : 50W	1800
200706	Mercury vapour	E27 : 80W	3800
200707	Metal halide	E27 : 50W	3100
200708	Metal halide	E27 : 70W	4900
200709	High pressure sodium	E27 : 50W	3500
200710	High pressure sodium	E27 : 70W	5600

* Light and Sound bollards please see P,44