



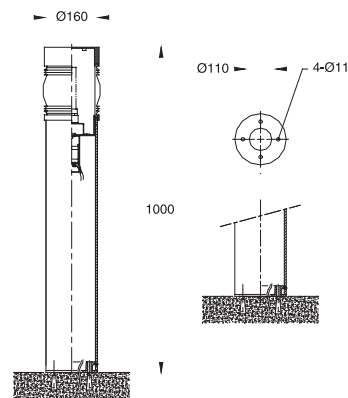
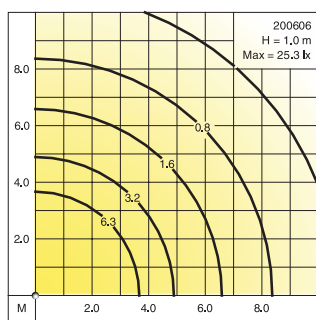
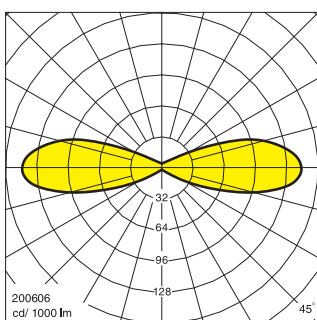
Bollards

Compact fluorescent lamps
Discharge lamps
Incandescent lamps

IP 55 Dustproof and Jetproof
 conforming to DIN, VDE, IEC.
Class I.

Bollards for energy saving fluorescent lamps, discharge lamps and incandescent lamps. Cylindrical lens made of thermal shock resistant borosilicate glass creates light concentrated on a single plane. Suitable for private and public areas, hotel premises, parks, etc.

- Corrosion resistant die cast aluminium alloy
- Stainless steel screws
- Thermal shock resistant borosilicate glass lens
- Weatherproof and durable silicone rubber gasket
- Extruded aluminium post
- Ultraviolet stabilized polyester powder coat finish in Black RAL 9005
- Other colours available upon consultation



			Lumen
200601	Incandescent	E27 : 60W	730
200602	Compact fluorescent	G24d-1 : 10/13W	600/900
200603	Compact fluorescent	G24d-2 : 18W	1200
200604	Compact fluorescent	G24d-3 : 26W	1800
200605	Mercury vapour	E27 : 50W	1800
200606	Mercury vapour	E27 : 80W	3800
200607	Metal halide	E27 : 50W	3100
200608	Metal halide	E27 : 70W	4900
200609	Metal halide	E27 : 100W	8000
200610	High pressure sodium	E27 : 50W	3500
200611	High pressure sodium	E27 : 70W	5600