



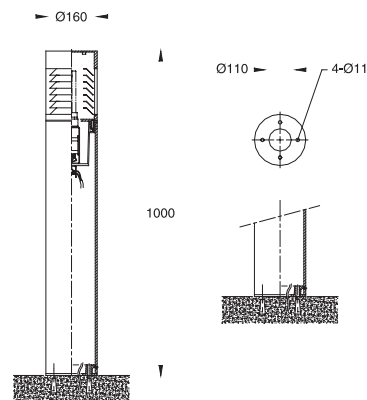
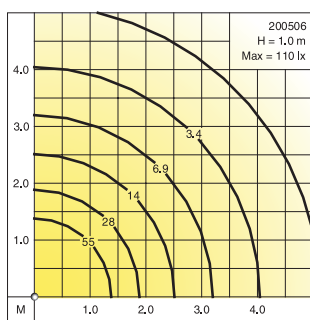
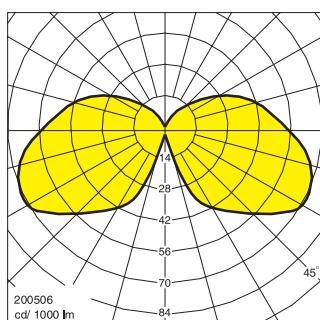
Bollards

Compact fluorescent lamps
Discharge lamps
Incandescent lamps

IP 55 Dustproof and Jetproof conforming to DIN, VDE, IEC.
Class I.

Bollards for energy saving fluorescent lamps, discharge lamps and incandescent lamps. Lens made of clear polycarbonate providing rotationally symmetrical light distribution with glare-free lighting. Suitable for gardens, residential areas, pedestrian precincts, hotel premises, parks and public areas.

- Corrosion resistant die cast aluminium alloy
- Stainless steel screws
- Vandal resistant lens made of UV stabilized clear polycarbonate
- Anodized high purity aluminium reflectors
- Weatherproof and durable silicone rubber gasket
- Extruded aluminium post
- Ultraviolet stabilized polyester powder coat finish in Black RAL 9005
- Other colours available upon consultation



| | | | Lumen |
|---------------|----------------------|-----------------|---------|
| 200501 | Incandescent | E27 : 60W | 730 |
| 200502 | Compact fluorescent | G24d-1 : 10/13W | 600/900 |
| 200503 | Compact fluorescent | G24d-2 : 18W | 1200 |
| 200504 | Compact fluorescent | G24d-3 : 26W | 1800 |
| 200505 | Mercury vapour | E27 : 50W | 1800 |
| 200506 | Mercury vapour | E27 : 80W | 3800 |
| 200507 | Metal halide | E27 : 50W | 3100 |
| 200508 | Metal halide | E27 : 70W | 4900 |
| 200509 | High pressure sodium | E27 : 50W | 3500 |
| 200510 | High pressure sodium | E27 : 70W | 5600 |

* Light and Sound bollards please see P,44