



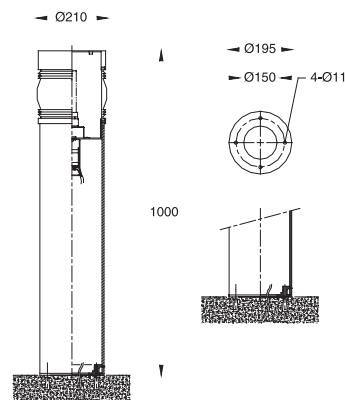
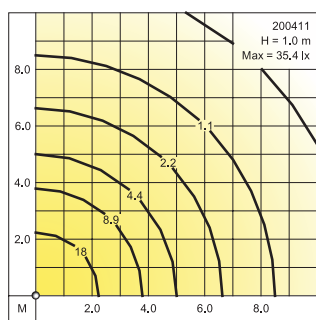
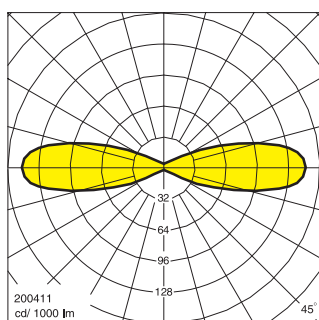
Bollards

Compact fluorescent lamps
Discharge lamps
Incandescent lamps

IP 55 Dustproof and Jetproof conforming to DIN, VDE, IEC.
Class I.

Bollards for energy saving fluorescent lamps, discharge lamps and incandescent lamps. Cylindrical lens made of thermal shock resistant borosilicate glass creates light concentrated on a single plane. Suitable for private and public areas, hotel premises, parks, etc.

- Corrosion resistant die cast aluminium alloy
- Stainless steel
- Thermal shock resistant borosilicate glass lens
- Weatherproof and durable silicone rubber gasket
- Extruded aluminium post
- Ultraviolet stabilized polyester powder coat finish in Black RAL 9005
- Other colours available upon consultation



			Lumen
200401	Incandescent	E27 : 60W	730
200402	Compact fluorescent	G24d-1 : 10/13W	600/900
200403	Compact fluorescent	G24d-2 : 18W	1200
200404	Compact fluorescent	G24d-3 : 26W	1800
200405	Mercury vapour	E27 : 50W	1800
200406	Mercury vapour	E27 : 80W	3800
200407	Metal halide	E27 : 50W	3100
200408	Metal halide	E27 : 70W	4900
200409	Metal halide	E27 : 100W	8000
200410	High pressure sodium	E27 : 50W	3500
200411	High pressure sodium	E27 : 70W	5600