



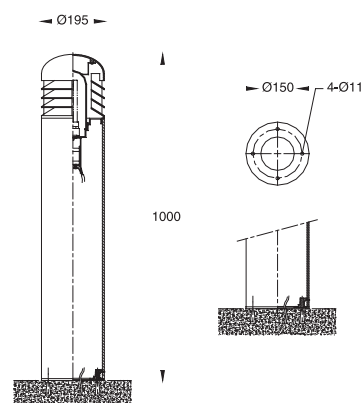
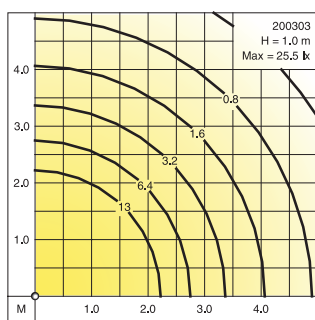
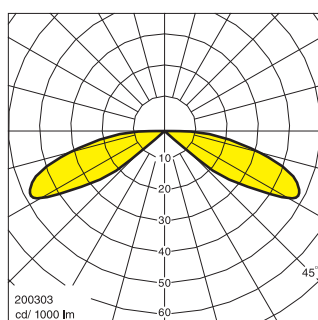
## Bollards

**Compact fluorescent lamps**  
**Discharge lamps**  
**Incandescent lamps**

**IP 55** Dustproof and Jetproof conforming to DIN, VDE, IEC.  
**Class I.**

Bollards for energy saving fluorescent lamps, discharge lamps and incandescent lamps. Tempered glass lens providing rotationally symmetrical light distribution with glare-free lighting and dimmed to provide light from low mounting heights. Suitable for direction lighting, gardens, residential areas, and public areas.

- Corrosion resistant die cast aluminium alloy
- Stainless steel screws
- Concealed tempered glass lens
- Weatherproof and durable silicone rubber gasket
- Extruded aluminium post
- Ultraviolet stabilized polyester powder coat finish in Black RAL 9005
- Other colours available upon consultation



			Lumen
<b>200301</b>	Incandescent	E27 : 60W	730
<b>200302</b>	Compact fluorescent	G24d-1 : 10/13W	600/900
<b>200303</b>	Compact fluorescent	G24d-2 : 18W	1200
<b>200304</b>	Mercury vapour	E27 : 50W	1800
<b>200305</b>	Mercury vapour	E27 : 80W	3800
<b>200306</b>	Metal halide	E27 : 50W	3100
<b>200307</b>	Metal halide	E27 : 70W	4900
<b>200308</b>	Metal halide	E27 : 100W	8000
<b>200309</b>	High pressure sodium	E27 : 50W	3500
<b>200310</b>	High pressure sodium	E27 : 70W	5600

\* Light and Sound bollards please see P,44