



Bollards

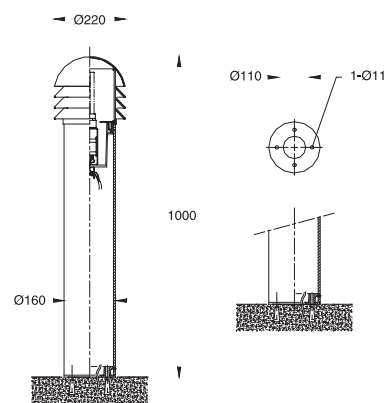
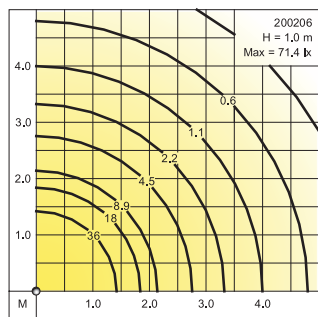
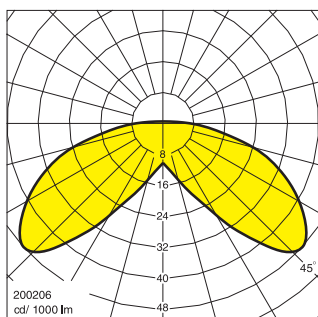
Compact fluorescent lamps
Discharge lamps
Incandescent lamps

IP 55 Dustproof and Jetproof conforming to DIN, VDE, IEC.
Class I.

Bollards for energy saving fluorescent lamps, discharge lamps and incandescent lamps.

Lens made of clear polycarbonate providing rotationally symmetrical light distribution with glare-free lighting. Suitable for gardens, residential areas, cycle tracks and walkpaths.

- Corrosion resistant die cast aluminium alloy
- Stainless steel screws
- Vandal resistant lens made of UV stabilized clear polycarbonate
- Weatherproof and durable silicone rubber gasket
- Extruded aluminium post
- Ultraviolet stabilized polyester powder coat finish in Black RAL 9005
- Other colours available upon consultation



			Lumen
200201	Incandescent	E27 : 60W	730
200202	Compact fluorescent	G24d-1 : 10/13W	600/900
200203	Compact fluorescent	G24d-2 : 18W	1200
200204	Mercury vapour	E27 : 50W	1800
200205	Mercury vapour	E27 : 80W	3800
200206	Metal halide	E27 : 50W	3100
200207	Metal halide	E27 : 70W	4900
200208	Metal halide	E27 : 100W	8000
200209	High pressure sodium	E27 : 50W	3500
200210	High pressure sodium	E27 : 70W	5600