



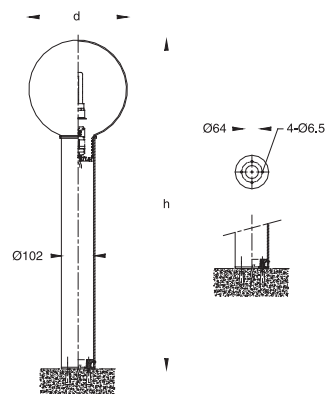
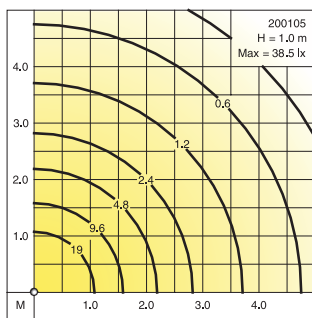
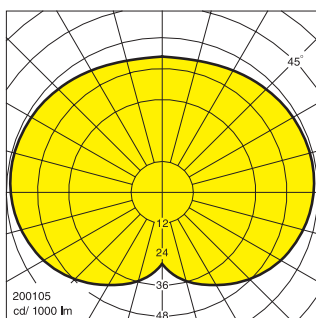
Bollards

**Compact fluorescent lamps
Incandescent lamps**

IP 54 Dustproof and Splashproof conforming to DIN, VDE, IEC.
Class I.

Bollards for energy saving fluorescent lamps and incandescent lamps with symmetrical light distribution. Suitable for private and public areas.

- Vandal resistant diffuser made of UV stabilized white opal HDPE-S (High density polyethylene)
- Corrosion resistant die cast aluminium alloy and stainless steel
- Weatherproof and durable silicone rubber gasket
- Stainless steel screws
- Extruded aluminium post
- Ultraviolet stabilized polyester powder coat finish on aluminium pole in Black RAL 9005
- Other colours available upon consultation



d=250, h=1000

			Lumen
200101	Incandescent	E27 : 60W	730
200102	Compact fluorescent	G24d-1 : 10/13W	600/900
200103	Compact fluorescent	G24d-2 : 18W	1200

d=300, h=1000

200104	Incandescent	E27 : 60W	730
200105	Compact fluorescent	G24d-1 : 10/13W	600/900
200106	Compact fluorescent	G24d-2 : 18W	1200

d=350, h=1000

200107	Incandescent	E27 : 60W	730
200108	Compact fluorescent	G24d-1 : 10/13W	600/900
200109	Compact fluorescent	G24d-2 : 18W	1200