



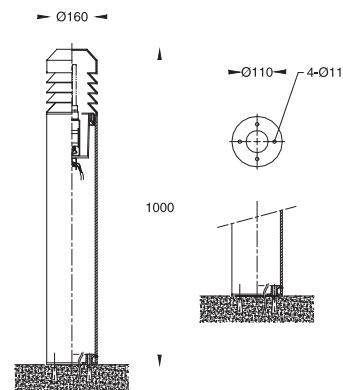
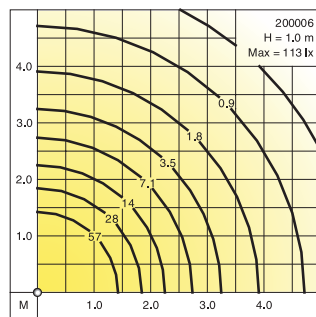
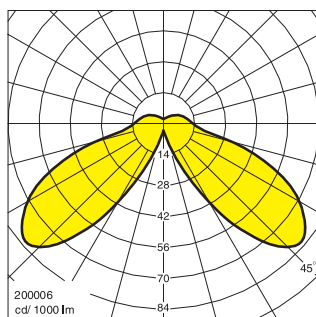
Bollards

Compact fluorescent lamps
Discharge lamps
Incandescent lamps

IP 54 Dustproof and Splashproof
 conforming to DIN, VDE, IEC.
Class I.

Bollards for energy saving fluorescent lamps, discharge lamps and incandescent lamps. Louvers and lens provide rotationally symmetrical light distribution. Suitable for gardens, residential areas, walkpaths, hotel premises, parks, etc.

- Corrosion resistant die cast aluminium alloy and louvers
- Vandal resistant lens made of UV stabilized clear polycarbonate
- Extruded aluminium post
- Integral control gear
- Stainless steel screws
- Ultraviolet stabilized polyester powder coat finish in Black RAL 9005
- Other colours available upon consultation



			Lumen
200001	Incandescent	E27 : 60W	730
200002	Compact fluorescent	G24d-1 : 10/13W	600/900
200003	Compact fluorescent	G24d-2 : 18W	1200
200004	Compact fluorescent	G24d-3 : 26W	1800
200005	Mercury vapour	E27 : 50W	1800
200006	Mercury vapour	E27 : 80W	3800
200007	Metal halide	E27 : 50W	3100
200008	Metal halide	E27 : 70W	4900
200009	Metal halide	E27 : 100W	8000
200010	High pressure sodium	E27 : 50W	3500
200011	High pressure sodium	E27 : 70W	5600