



## Area lighting luminaires cut - off

**IP 54** Dustproof and Splashproof conforming to DIN, VDE, IEC.  
**Class I.**

The architectural and rectilinear area lighting luminaires for high pressure discharge lamps maintains sharp cut-off while providing broad lights to achieve widest pole spacing. The attractive design, high performance and maximized visual comfort allow the luminaires to complement any exterior space.

**Housing** : one piece corrosion resistant die-formed aluminium uni-body construction completely water tight.

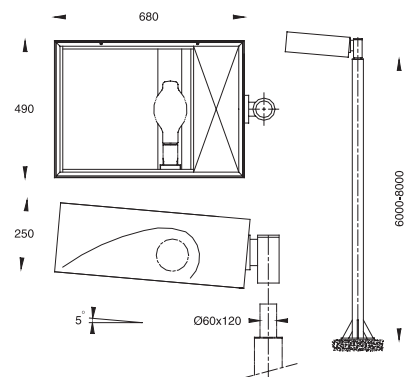
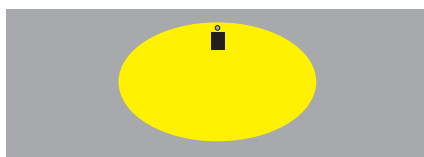
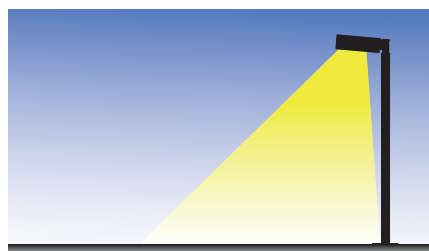
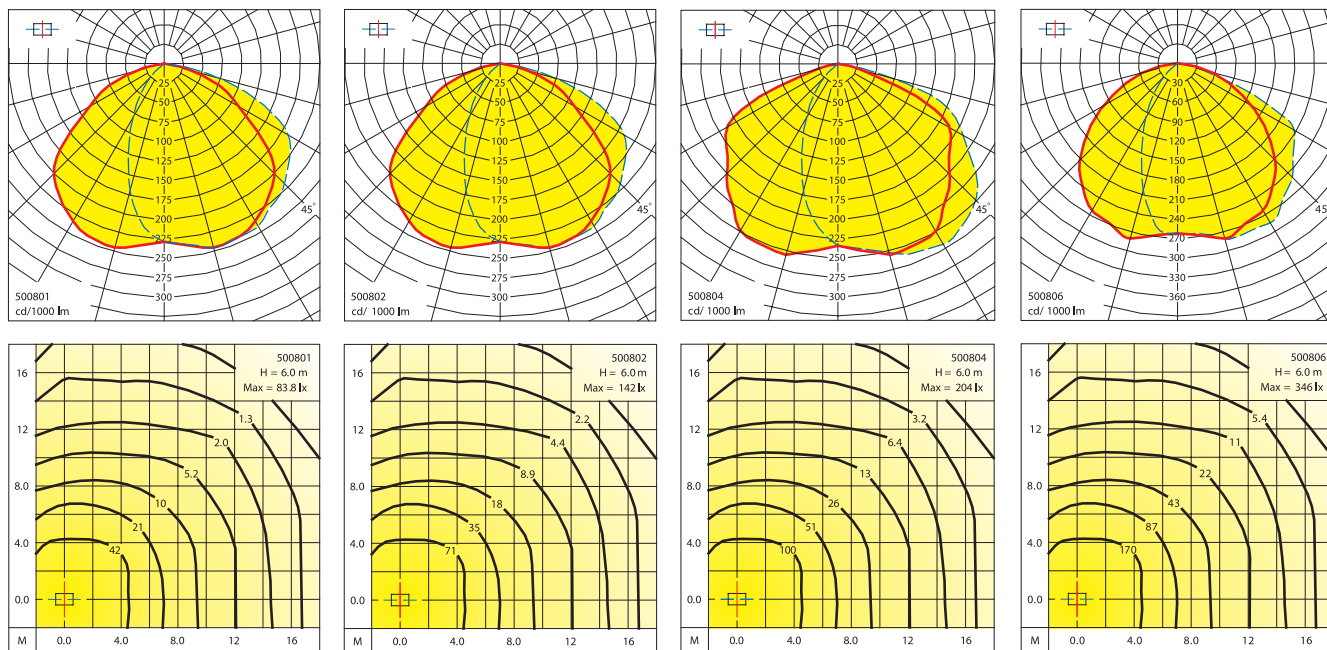
**Control gear** : a separate tray but integral part of the main housing contains ballast, ignitor, capacitor and lampholder VDE approved.

**Reflector** : anodized high purity aluminium reflector chemically brightened providing forward throw asymmetrical light distribution.

**Lens assembly** : 5 mm tempered glass lens fully framed in extruded aluminium frame, silicone sealed and gasketed lens assembly is mounted to housing with concealed hinges and secured with stainless steel screws.

**Colours** : an electro statically applied powder coat which is oven-cured to a hard durable finish in Black RAL 9005.





			Lumen
<b>500801</b>	Mercury vapour	E40 : E-250W	13000
<b>500802</b>	Mercury vapour	E40 : E-400W	22000
<b>500803</b>	Metal halide	E40 : E-250W	19000
<b>500804</b>	Metal halide	E40 : E-400W	32000
<b>500805</b>	High pressure sodium	E40 : E-250W	25000
<b>500806</b>	High pressure sodium	E40 : E-400W	47000