



Streetlighting luminaires semi cut - off

Lamp compartment : **IP 54**

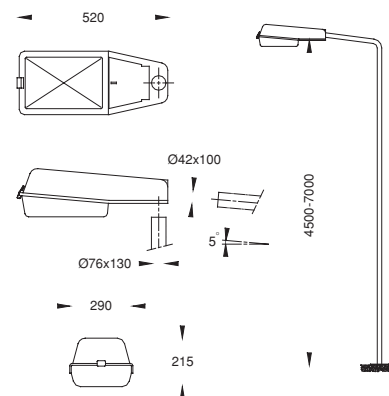
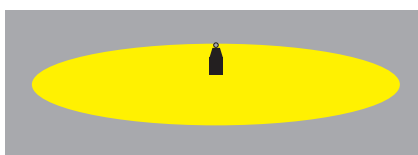
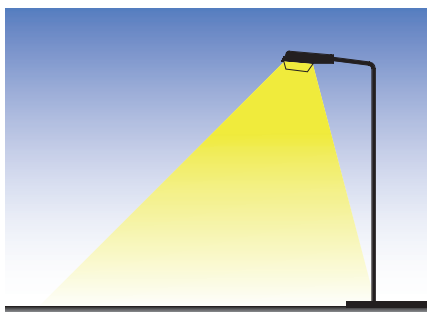
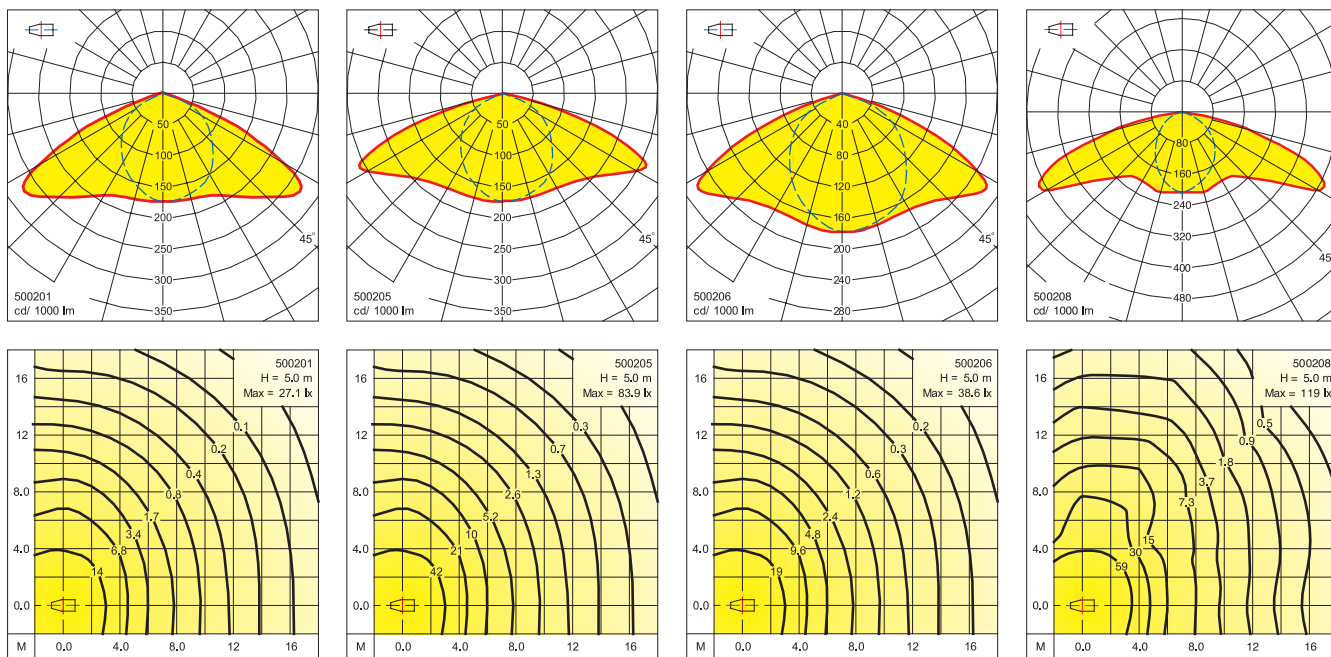
Gear compartment : **IP 33**

Conforming to DIN, VDE, IEC.

Class I.

Pole top or side entry luminaires for discharge lamps. This unit features a single piece seamless die cast aluminium housing. An internal shield separates the optical assembly from the electrical gear compartment. UV stabilized acrylic bowl (PMMA) is attached to housing with removable hinge assembly thus eliminating the need for any type of tools for attachment and removal of lens. Unit provides positive locking and sealing which facilitates uniform gasket pressure. High power factor ballast and components mounted on a single tray and factory prewired for convenience in mounting and maintenance.

- Corrosion resistant die cast aluminium housing
- UV stabilized acrylic bowl (PMMA)
- Stainless steel screws and locking devices
- Weatherproof felt gasket
- Anodized and chemically brightened aluminium reflector
- Adjustable lamp holder position
- Vertical or side entry installation with fixing dimension to European standard EN 40
- Plug and socket connection for mains
- An electro statically applied powder coat which is oven-cured to a hard durable finish in Gray RAL 7032



			Lumen
500201	Mercury vapour	E27 : E-80W	3800
500202	Mercury vapour	E27 : E-125W	6300
500203	Metal halide	E27 : E-70W	4900
500204	Metal halide	E27 : E-100W	8000
500205	Metal halide	E27 : E-150W	12000
500206	High pressure sodium	E27 : E-70W	5600
500207	High pressure sodium	E40 : T-100W	10000
500208	High pressure sodium	E40 : T-150W	14500