

Vinic



Streetlighting luminaires cut - off

Lamp compartment : **IP 54**

Gear compartment : **IP 33**

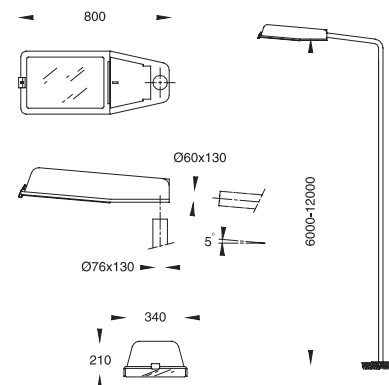
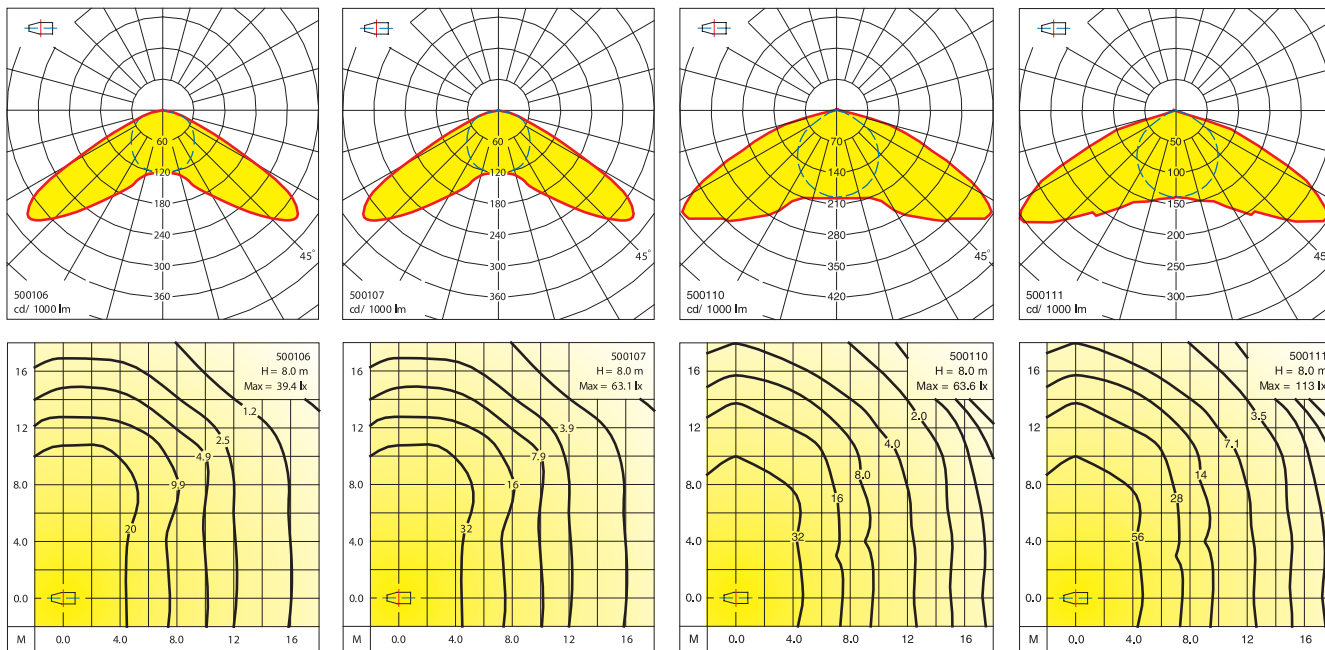
Conforming to DIN, VDE, IEC.

Class I.

Pole top or side entry luminaires for discharge lamps. This unit features a single piece seamless die cast aluminium housing. An internal shield separates the optical assembly from the electrical gear compartment. Glass lens is attached to housing with removable hinge assembly thus eliminating the need for any type of tools for attachment and removal of lens. Unit provides positive locking and sealing which facilitates uniform gasket pressure. High power factor ballast and components mounted on a single tray and factory prewired for convenience in mounting and maintenance.

- Corrosion resistant die cast aluminium housing
- Thermal shock resistant safety glass lens
- Stainless steel screws and locking devices
- Weatherproof felt gasket
- Anodized and chemically brightened aluminium reflector
- Adjustable lamp holder position
- Vertical or side entry installation with fixing dimension to European standard EN 40
- Plug and socket connection for mains
- An electro statically applied powder coat which is oven-cured to a hard durable finish in Gray RAL 7032





			Lumen
500101	Mercury vapour	2xE27 : E-80W	2x3800
500102	Mercury vapour	E27 : E-125W	6300
500103	Mercury vapour	2xE27 : E-125W	2x6300
500104	Mercury vapour	E40 : E-250W	13000
500105	Mercury vapour	E40 : E-400W	22000
500106	Metal halide	E40 : T-250W	20000
500107	Metal halide	E40 : T-400W	32000
500108	High pressure sodium	2xE27 : E-70W	2x5600
500109	High pressure sodium	E40 : T-150W	14500
500110	High pressure sodium	E40 : T-250W	27000
500111	High pressure sodium	E40 : T-400W	48000
500112	Low pressure sodium	BY22d : T-55W	8100