



Recessed / Surface - Mounted Ceiling Luminaires

Discharge lamps

IP 54 Dustproof and Splashproof conforming to DIN, VDE, IEC.

Class I.

Rectangular specular luminaires for discharge lamps, horizontally burning position, glare limitation quality class I. Luminaires with asymmetric reflector provide proper choice for controlling light forward throw at the same time producing sufficient illumination for a general lighting. Metal halide lamps are recommended for their white light, high luminous efficacy rating, very good colour rendering properties and long life service. Suitable for service petrol station sign boards and columns illumination.

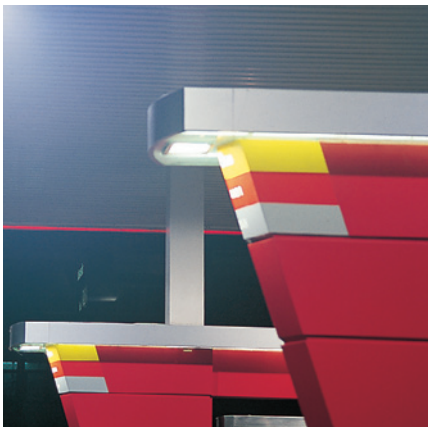
Housing : corrosion resistant one piece die-formed aluminium uni-body construction completely water tight M20x1.5 cable entry diameter 7.5 to 13.5 mm.

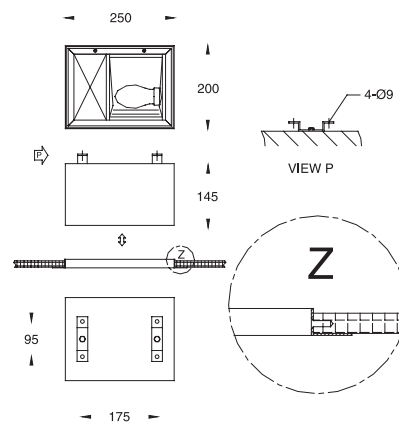
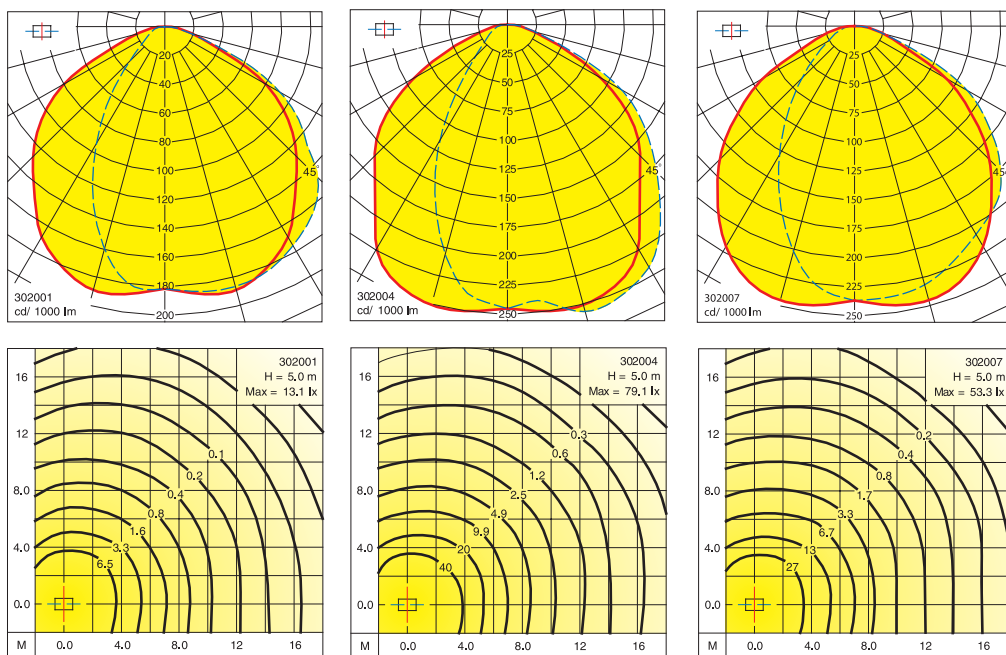
Control gear : a separate tray but integral part of main housing accommodates ballast, ignitor, capacitor and lampholder VDE approved.

Reflector : anodized high purity aluminium reflector chemically brightened providing forward throw asymmetric light distribution.

Lens assembly : thermal shock resistant safety glass in a hinged extruded aluminium frame, stainless steel fasteners, weatherproof and durable silicone rubber gasket.

Colour : ultraviolet stabilized polyester powder coat finish in White RAL 9003. Other colours are available upon consultation.





			Lumen
302001	Mercury vapour	E27 : E-50W	1600
302002	Mercury vapour	E27 : E-80W	3800
302003	Metal halide	E27 : E-70W	4900
302004	Metal halide	E27 : E-100W	8000
302005	Metal halide	E27 : E-150W	12000
302006	High pressure sodium	E27 : E-50W	3500
302007	High pressure sodium	E27 : E-70W	5600